



Battery-Box Premium Operating Manual

HVS 5.1, 7.7, 10.2, 12.8

HVM 8.3, 11.0, 13.8, 16.6, 19.3, 22.1

A High Voltage Battery System



Legal Provisions

All the information in this document is the property of BYD Europe B.V. No part of this document could be reproduced in any way for business use. Internal use is allowed.

BYD Europe B.V. makes no representations or warranties express or implied, with respect to this document or any of the equipment and/or software it may describe, including (with no limitation) any implied warranties of utility, merchantability, or fitness for any particular purpose. All such representations or warranties are expressly disclaimed. Neither BYD Europe B.V. nor its distributors or dealers shall be liable for any indirect, incidental, or consequential damages under any circumstances.

The exclusion of implied warranties may not apply in all cases under some statutes, and thus the above exclusion may not apply.

This document does not replace and is not intended to replace any local, state, provincial, federal, or national laws, regulations, or codes applicable to the installation, electrical safety, and use of the battery system. BYD Europe B.V. assumes no responsibility for the compliance or noncompliance with such laws or codes in connection with the installation of the battery system.

Specifications are subject to change without notice. Every effort has been made to make this document complete, accurate, and up-to-date. However, BYD Europe B.V. may need to make some improvements under certain circumstances without advance notice. BYD Europe B.V. shall not be responsible for any loss caused by this document, including, but not limited to, omissions errors, typographical errors, arithmetical errors, or listing errors in this document.

All trademarks are recognized.

Limited Warranty

You can download the latest Limited Warranty from the Internet at www.bydbatterybox.com.

BYD Europe B.V.

's-Gravelandseweg 256, 3125 BK, Schiedam, the Netherlands

Content

Legal Provisions	2
1. Information on this Document	5
1.1. Validity	5
1.2. Target Group	5
1.3. Content and Structure of this Document	5
1.4. Declaration of Conformity	5
1.5. Levels of Warning Messages	5
1.6. Symbols in the Document	6
1.7. Designation in the Document	6
2. Safety	7
2.1. Intended Use	7
2.2. IMPORTANT SAFETY INSTRUCTIONS	7
2.2.1. Battery Module Leakage	7
2.2.2. Firefighting Measures	7
2.2.3. Battery Modules Handling and Storage Guide	8
2.2.4. Warning of Electric Shock	8
2.2.5. Warning of Overvoltages	9
2.2.6. Caution of Weight	9
2.2.7. Notice of Property Damage	9
3. Scope of Delivery	10
4. Battery System Overview	11
4.1. Battery System Description	11
4.2. Interface	12
4.3. Symbols on the System	12
4.4. LED Signals	14
5. Installation	15
5.1. Requirements for Installation	15
5.1.1. Requirements for Installation Location	15
5.1.2. Tools	16
5.1.3. Safety Gear	17
5.1.4. Additionally Required Installation Material	17
5.2. Installation	17

6.	Electrical Connection	20
6.1.	Overview of the Connection Area.....	20
6.2.	Connection Diagram	22
6.2.1.	One Battery System	22
6.2.2.	Multiple Battery Systems	23
6.3.	Connecting the Grounding Conductor	23
6.4.	The Data Cable Connection to Inverter	25
6.4.1.	Connection Options	25
6.4.2.	Connecting the Data Cable of the Inverter	25
6.5.	Connecting the Data Cable for other Battery System(s)	26
6.6.	Connecting the Network Cables.....	28
6.7.	DC Connection	29
6.8.	Close up	30
7.	Commissioning	31
7.1.	Commission the Battery System	31
7.2.	Configure the Battery System	31
7.3.	Switch off the Battery System	34
7.4.	Commission the Inverter	34
7.5.	Black Start Function.....	34
7.6.	Safety Design	34
8.	Decommissioning.....	35
9.	Extension	36
10.	Troubleshooting	37
10.1.	Overview	37
10.2.	Error Codes	37
11.	Maintenance and Storage	38
12.	Disposal of the Battery System.....	39
13.	Technical Data	40
14.	Contact Information	42
	Appendix Connection Options with Inverters.....	43

1. Information on this Document

1.1. Validity

This document is valid for the Battery-Box Premium HVS 5.1, 7.7, 10.2, 12.8, and HVM 8.3, 11.0, 13.8, 16.6, 19.3, 22.1.

1.2. Target Group

The instructions in this document may only be performed by qualified persons who must have the following skills:

- Knowledge of how batteries work and are operated
- Knowledge of how an inverter works and is operated
- Knowledge of, and adherence to the locally applicable connection requirements, standards, and directives
- Knowledge of, and adherence to this document and the associated system documentation, including all safety instructions
- Training in dealing with the hazards associated with the installation and operation of electrical equipment and batteries
- Training in the installation and commissioning of electrical equipment

Failure to do so will make any manufacturer's warranty, guarantee or liability null, and void unless you can prove that the damage was not due to non-compliance.

1.3. Content and Structure of this Document

This document contains safety information and instructions, scope of delivery, system overview, installation, electrical connection, commissioning, decommissioning, expansion, troubleshooting, maintenance and storage, disposal, and technical data. Please finish reading this document before taking any actions on the battery system.

1.4. Declaration of Conformity

The battery system described in this document complies with the applicable European directives. The certificate is available in the download area at www.bydbatterybox.com.

1.5. Levels of Warning Messages

The following levels of warning messages may occur when handling the battery system.

DANGER

Indicates a hazardous situation which, if not avoided, will result in death or serious injury.

WARNING

Indicates a hazardous situation which, if not avoided, could result in death or serious injury.

 **CAUTION**

Indicates a hazardous situation which, if not avoided, could result in minor or moderate injury.

NOTICE

Indicates a situation which, if not avoided, can result in property damage.

1.6. Symbols in the Document

 **QUALIFIED PERSON**

Sections describing activities to be performed by qualified persons only.

1.7. Designation in the Document

Designation in this document	Complete designation
battery system	Battery-Box Premium HVS&HVM
BCU	Battery Control Unit
BIC	Battery Information Collector
BMS	Battery Management System
BMU	Battery Management Unit
BYD	BYD Europe B.V.
SOC	State of Charge

2. Safety

2.1. Intended Use

The battery system is for residential and works with a photovoltaic system. It is a high voltage Li-ion battery storage system, with the control module on itself. It could be operated in on-grid and off-grid modes with compatible inverters.

The battery system could be connected to the Internet through network cable for maintenance and firmware updating.

The battery system must only be used as stationary equipment.

The battery system is suitable for indoor and outdoor use under the conditions mentioned in Section 5.1.

The battery system must only be operated in connection with a compatible inverter. The list (BYD Battery-Box Premium HVS & HVM Compatible Inverter List) of these inverters could be found at www.bydbatterybox.com.

The battery system is not suitable for supplying life-sustaining medical devices. Please ensure that no personal injury would lead due to the power outage of the battery system.

Alterations to the battery system, e.g., changes or modifications are not allowed unless the written permission of BYD is achieved. Unauthorized alterations will void the guarantee and warranty claims. BYD shall not be held liable for any damage caused by such changes.

The type label should always be attached to the battery system.

2.2. IMPORTANT SAFETY INSTRUCTIONS

The battery system has been designed and tested in accordance with international safety requirements. However, in order to prevent personal injury and property damage and ensure long-term operation of the battery system, please do read this section carefully and observe all safety information at all times.

2.2.1. Battery Module Leakage

If the battery modules leak electrolytes, contact with the leaking liquid or gas should be avoided. The electrolyte is corrosive, and the contact may cause skin irritation and chemical burns. If one is exposed to the leaked substance, do these actions:

Inhalation: Evacuate the contaminated area, and seek medical help immediately.

Eye contact: Rinse eyes with flowing water for 15 minutes and seek medical help immediately.

Skin contact: Wash the affected area thoroughly with soap and water and seek medical help immediately.

Ingestion: Induce vomiting and seek medical help immediately.

2.2.2. Firefighting Measures

The battery modules may catch fire when it is put into the fire. In case of a fire, please make sure that an ABC or carbon dioxide extinguisher is nearby. Water cannot be used to extinguish the fire.

Full protective clothing and self-contained breathing apparatus are required for the firefighters to extinguish the fire.

2.2.3. Battery Modules Handling and Storage Guide

- The battery modules and its components should be protected from damage when transporting and handling.
- Do not impact, pull, drag, or step on the battery modules.
- Do not insert unrelated objects into any part of the battery modules.
- Do not throw the battery module into a fire.
- Do not soak the battery modules in water or seawater.
- Do not expose to strong oxidizers.
- Do not short circuit the battery modules.
- The battery modules cannot be stored at high temperatures (more than 50° C).
- The battery modules cannot be stored directly under the sun.
- The battery modules cannot be stored in a high humidity environment.
- Do not use the battery modules if it is defective, or appears cracked, broken or otherwise damaged, or fails to operate.
- Do not attempt to open, disassemble, repair, tamper with, or modify the battery modules. The battery modules are not user-serviceable.
- Do not use cleaning solvents to clean the battery modules.

2.2.4. Warning of Electric Shock

DANGER

Danger to life due to electric shock when live components or DC cables are touched

The DC cables connected to an inverter may be live. Touching live DC cables results in death or serious injury due to electric shock.

- Disconnect the battery system and inverter from voltage sources and make sure it cannot be reconnected before working on the device.
- Do not touch non-insulated parts or cables.
- Do not remove the terminal block with the connected DC conductors from the slot under load.
- Wear suitable personal protective equipment for all work on the battery system.
- Observe all safety information of the inverter manufacturer.

2.2.5. Warning of Overvoltages

DANGER

Danger to life due to electric shock in case of overvoltages and if surge protection is missing

Overvoltages (e. g. in the event of a flash of lightning) can be further conducted into the building and to other connected devices in the same network via the network cables or other data cables if there is no surge protection. Touching live parts and cables results in death or lethal injuries due to electric shock.

- Ensure that all devices in the same network and the inverter are integrated into the existing surge protection.
- When laying the network cables or other data cables outdoors, it must be ensured that a suitable surge protection device is provided at the transition point of the cable from the VUHVfmsystem or the inverter outdoors to the inside of a building.

2.2.6. Caution of Weight

CAUTION

Risk of injury due to weight of the battery module

Injuries may result if the battery module is lifted incorrectly or dropped while being transported or installed.

- Transport and lift the battery module carefully. Take the weight of the battery module into account.
- Wear suitable personal protective equipment for all work on the battery system.

2.2.7. Notice of Property Damage

NOTICE

Damage to the BCU due to sand, dust and moisture ingress

Sand, dust and moisture penetration can damage the BCU and impair its functionality.

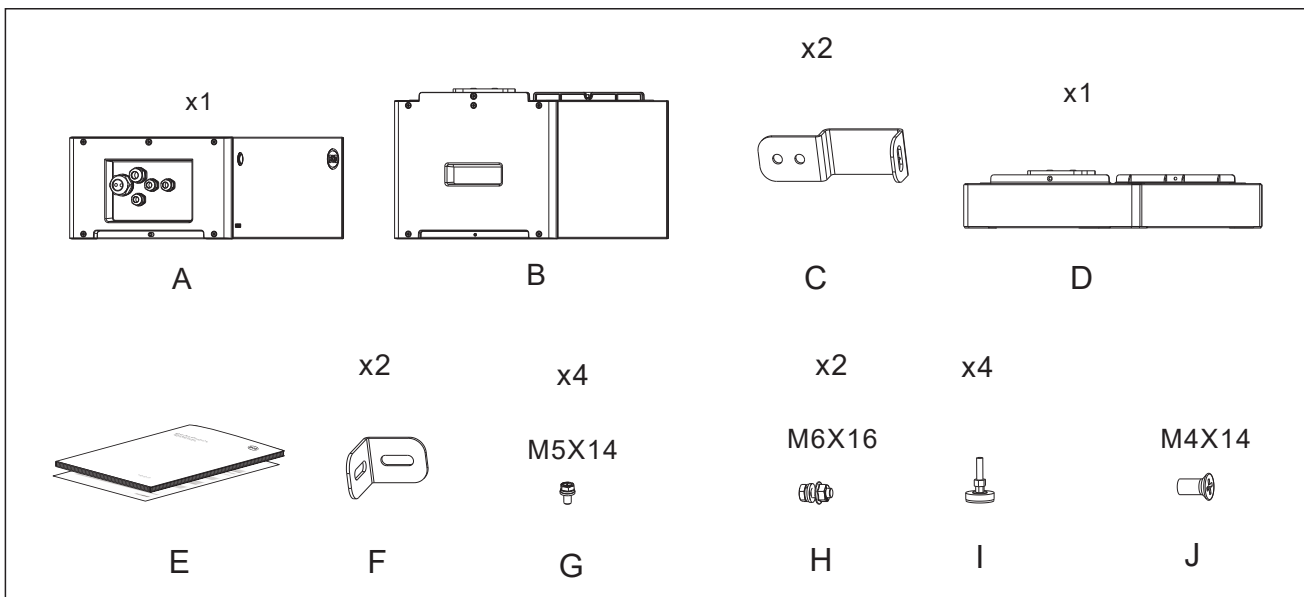
- Only open the BCU if the humidity is within the thresholds and the environment is free of sand and dust.

NOTICE

Damage to the battery system due to under voltages

- If the battery system doesn't start at all, please contact BYD local after-sales service within 48 hours. Otherwise, the battery could be permanently damaged.

3. Scope of Delivery

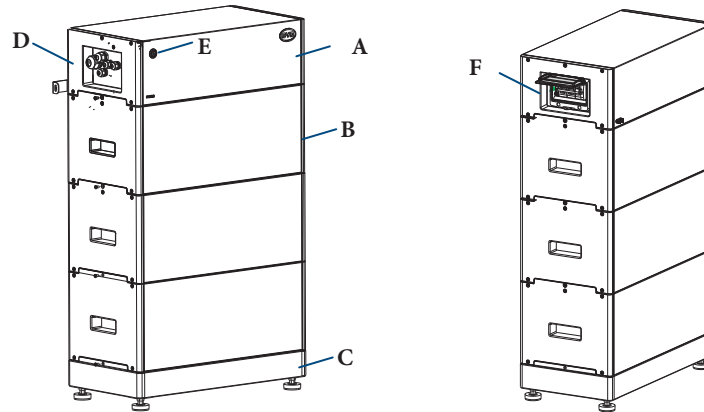


A	BCU
B	Battery module
C	Hanger (BCU part)
D	Base
E	Documents (Quick Start Guide, Compatible Inverter List, Packing List)
F	Hanger (wall part)
G	Screw to fix the hanger on BCU
H	Bolt to fix the BCU part and wall part hangers
I	Foot
J	Screw to fix the connection between modules, base, and BCU.(two pcs in the BCU package, and two pcs in each battery module package)

4. Battery System Overview

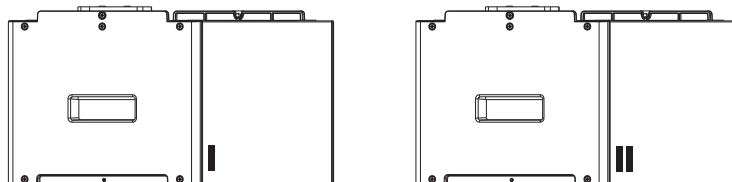
4.1. Battery System Description

The Battery-Box Premium HVS&HVM is used as a connected battery for the intermediate storage of excess PV energy in an inverter system.



A	BCU
B	Battery module
C	Base
D	Operating Panel
E	Button with LED
F	Air switch

There are two types of battery modules, HVM and HVS. The HVM has two stripes printed on it, and the HVS has one stripe.



Two to five HVS battery modules or three to eight HVM battery modules could be installed in one tower. **DIFFERENT BATTERY MODULES CANNOT BE INSTALLED IN ONE TOWER.**

Up to maximum three battery systems could be connected in parallel. **BUT THE HVS SYSTEM CANNOT BE CONNECTED WITH THE HVM SYSTEM.**

4.2. Interface

WLAN

The battery system is equipped with a WLAN interface as a standard.

Be Connect








Be Connect is an app for Android and iOS system devices. You can download it from Google Play or App Store.

With Be Connect, you can update the firmware of the battery system and configure it.

Be Connect Monitoring

The battery system is equipped with an Ethernet interface as a standard. When your battery system is linked with the Internet, it will join our Be Connect Monitoring. Be Connect Monitoring is a platform for BYD to provide remote service to customers. It can diagnose your battery system, and update the firmware. It is highly recommended you to connect the battery system to the Internet to have a better service.

4.3. Symbols on the System

Symbol	Explanation
	Observe the documents Observe all documents supplied with the system.
	Grounding conductor This symbol indicates the position for connecting a grounding conductor.
	WEEE designation Do not dispose of the system together with the household waste but in accordance with the disposal regulations for electronic waste applicable at the installation site.
	CE marking The system complies with the requirements of the applicable EU directives.
	This side up.
	Handle with care.
	Keep dry.



Keep the battery modules away from open flame or ignition sources.



Beware of electrical voltage.



Beware of a danger zone

This symbol indicates that the system must be additionally grounded if additional grounding or equipotential bonding is required at the installation site.



Keep the battery modules away from children.



RCM (Regulatory Compliance Mark), a brief guide to Electrical equipment approvals in Australia



Do not short circuit.

4.4. LED Signals

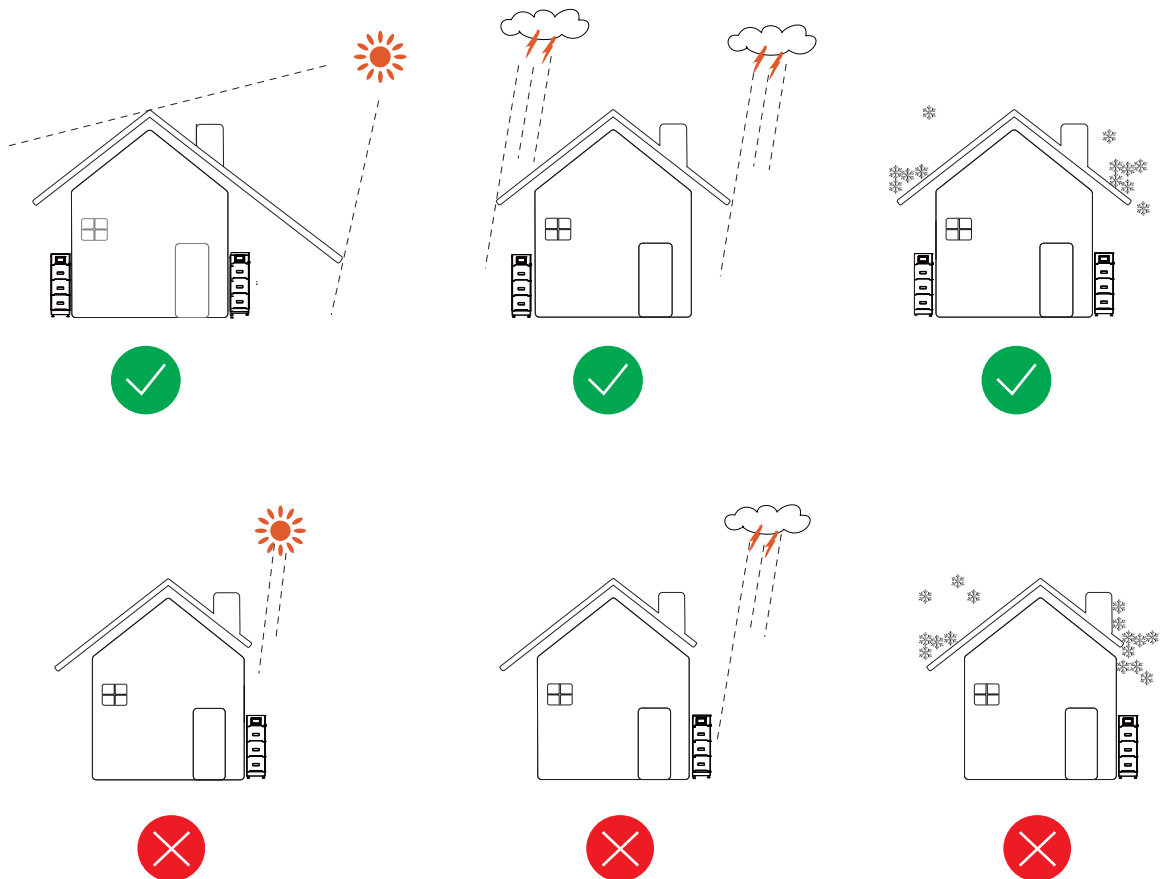
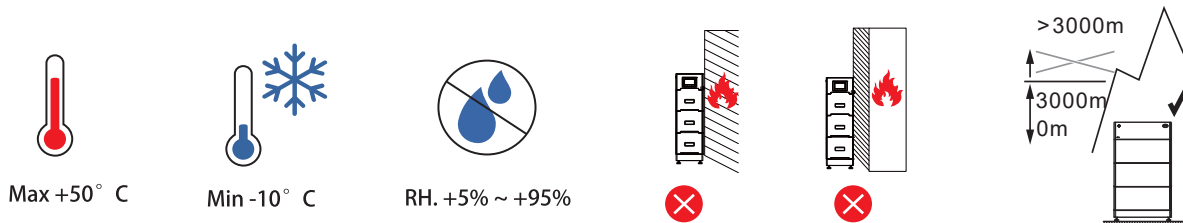
Flashing white and blue alternatively	White <input type="radio"/> ON <input type="radio"/> OFF Blue <input checked="" type="radio"/> ON <input type="radio"/> OFF		The battery system is initiating.
Glowing white	White <input type="radio"/> ON <input type="radio"/> OFF Blue <input checked="" type="radio"/> ON <input type="radio"/> OFF		Idle (the battery system is neither charging nor discharging).
Flashing white slowly	White <input type="radio"/> ON <input type="radio"/> OFF Blue <input checked="" type="radio"/> ON <input type="radio"/> OFF		The battery system is charging.
Flashing white quickly	White <input type="radio"/> ON <input type="radio"/> OFF Blue <input checked="" type="radio"/> ON <input type="radio"/> OFF		The battery system is discharging.
Flashing white and glowing blue	White <input type="radio"/> ON <input type="radio"/> OFF Blue <input checked="" type="radio"/> ON <input type="radio"/> OFF		The battery system is discharging, and the SOC is below 15%.
Flashing white and blue	White <input type="radio"/> ON <input type="radio"/> OFF Blue <input checked="" type="radio"/> ON <input type="radio"/> OFF		An error has occurred.

5. Installation

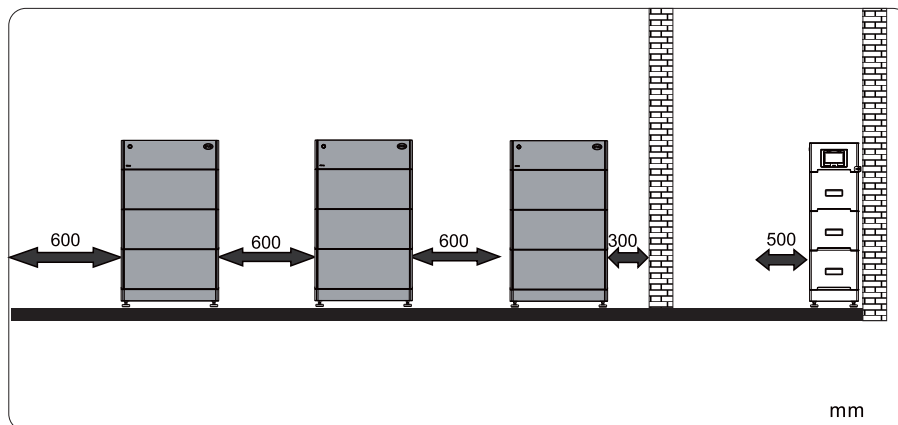
5.1. Requirements for Installation

5.1.1. Requirements for Installation Location

- a) A solid support surface must be available (e.g., concrete or masonry).
- b) The installation location must be inaccessible to children.
- c) The installation location must be suitable for the weight and dimensions of the battery system.
- d) The installation location must not be exposed to direct solar irradiation.
- e) The installation location must not be close to the fire.
- f) The altitude of the installation location should be less than 3000m.
- g) The ambient temperature should be between -10°C and +50°C.
- h) The ambient humidity should be between 5-95%.





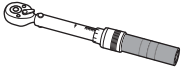
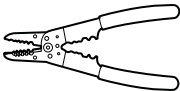
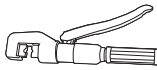

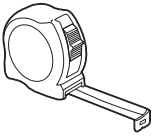


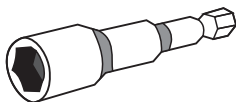


Recommended Clearances:



5.1.2. Tools

The tools in the following table could be needed during the installation.

				
Scissor	Pencil	Phillips screwdriver bit	Flat-head screwdriver	Torque wrench
				
Wire stripper	Crimping plier	Wrench	Tape measure	Drill
				
Hair dryer	Cylinder screwdriver bit			

5.1.3. Safety Gear

Wear the following safety gear when dealing with the battery system.



Insulated gloves

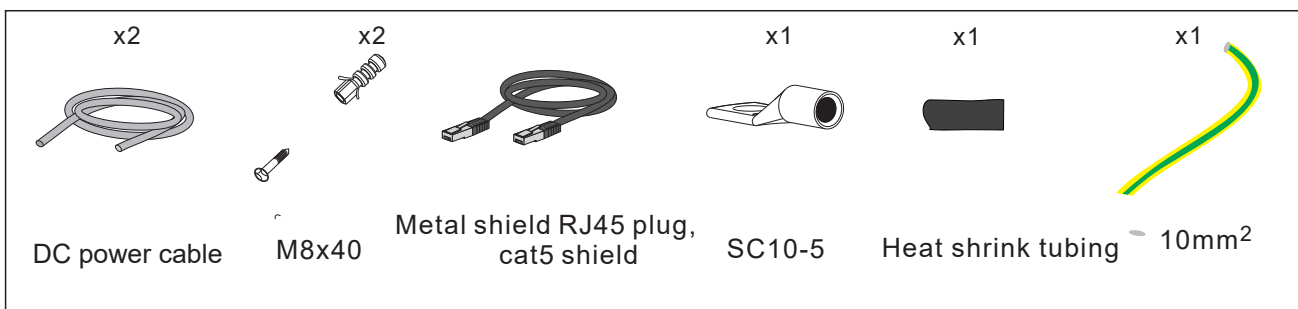


Safety goggles



Safety shoes

5.1.4. Additionally Required Installation Material



5.2. Installation

⚠️ QUALIFIED PERSON

⚠️ DANGER

Danger to life from electric shock due to live DC cables or connectors at the battery system

The DC cables connected to the battery system may be live. Touching the DC conductors or the live components leads to lethal electric shocks.

- Do not touch non-insulated cable ends.

⚠️ CAUTION

Risk of injury due to weight of the battery module

Injuries may result if the battery module is lifted incorrectly or dropped while being transported or installed.

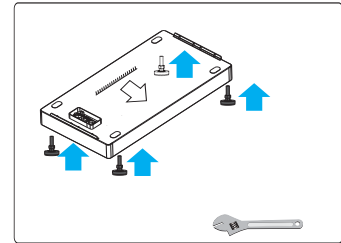
- Transport and lift the battery module carefully. Take the weight of the battery module into account.
- Wear suitable personal protective equipment for all work on the battery system.

Additionally required installation material (not included in the scope of delivery):

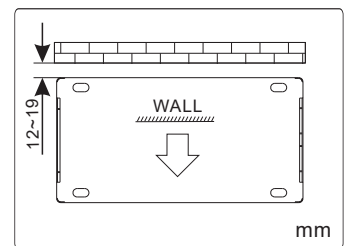
- Two screws suitable for the support surface (diameter: 8 mm)
- Where necessary, two screw anchors suitable for the support surface and the screws.

Procedure:

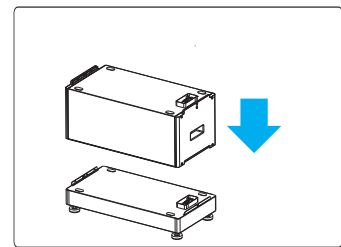
1. Take the base from the package out, and install the four feet with a wrench.



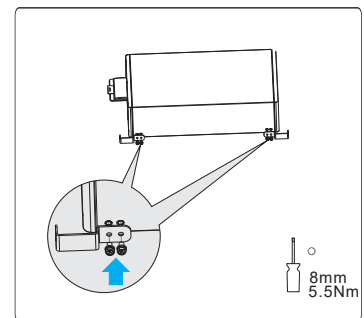
2. Put the installed base and feet along the wall, and keep the distance of 12~19 mm between the wall and the base.



3. Take a battery module from the package out. Put one battery module on the base. Pay attention to the direction of the module. The blind-mating connectors on the battery module and the base should be on the same side.
4. Repeat the operations for other battery modules.



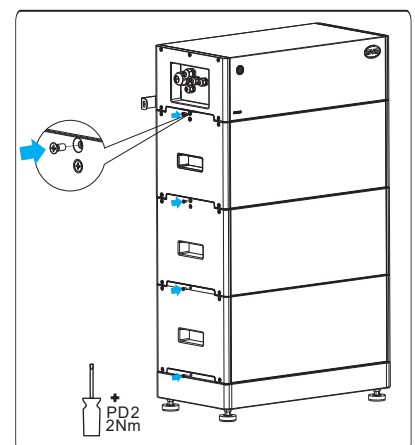
5. Install the hanger (BCU part) to the BCU. To do this, insert the screws (M5x14) through the hole on the BCU using a cylinder screwdriver (8 mm) and tighten them (torque: 5.5 Nm).



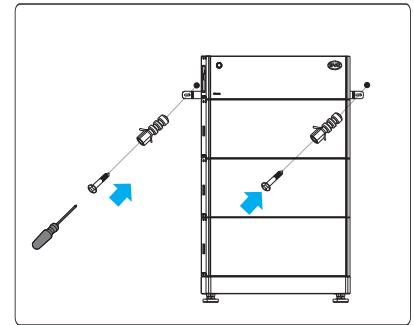
6. Put the BCU on top of the battery modules.

Recommend to connect cables on the BCU first when five or more than five battery modules are needed to be installed in one tower.

7. Fix the connection between the battery module and the base, between battery modules, and between BCU and battery module. To do this, insert the screws (M4x14) through the holes on them, using a Phillips screwdriver (PD2) and tighten them (torque: 2 Nm).



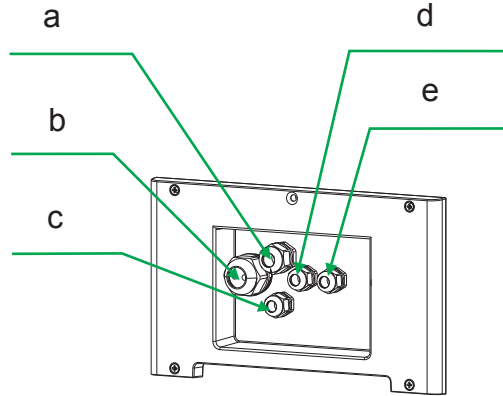
8. Hold the hanger (wall part) where it intends to be mounted on the wall and mark the position of the drill holes. Please pay attention that there may be power cables or other supply lines (e.g., gas or water) routed in the wall. Ensure that no lines are laid in the wall, which could be damaged when drilling holes.
9. Set the hanger aside and drill the marked holes.
10. Insert screw anchors into the drill holes if the support surface requires them.
11. Secure the hanger using screws (recommended M8x40).
12. Fix the two hangers (wall part and BCU part) with M6X16 bolts and nuts, using a cylinder screwdriver (10 mm) to tighten it (torque: 8 Nm).



6. Electrical Connection

6.1. Overview of the Connection Area

Exterior view



a	Gland for Ethernet cable
b	Gland for inverter and another battery system data cable
c	Gland for PE
d	Gland for DC+ (P+)
e	Gland for DC- (P-)

Interior View

ACT.—R 120Ω—DEA.
CAN Inver
RS485 Inver
Parallel

16~18mm

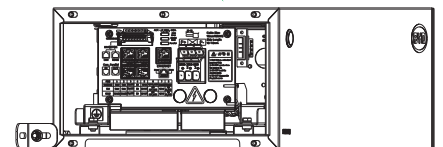
Cable Size: 16mm²/6AWG
Strip Length: 16~18mm

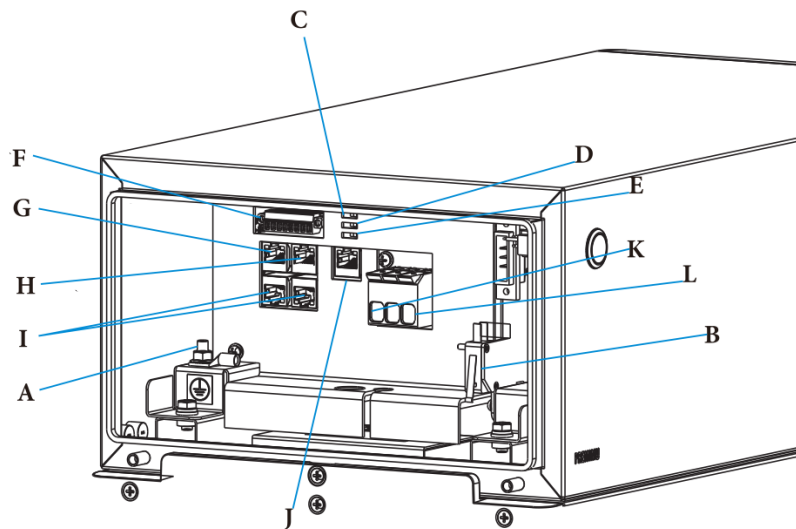
P+ P-

CAUTION

1. High Voltage, authorized personnel Only.
2. DO NOT operate when the switch is on.
3. DO NOT touch the exposed metal.
4. DO NOT disassemble the plastic cover.

PIN#	1	2	3	4	5	6	7	8
CAN/RS485	CANH	CANL	EN_GND	EN	12V IN	12V IN_GND	RS485B	RS485A
CAN	CANH	CANL	EN_GND	EN	12V OUT	12V OUT_GND	12V IN	12V IN_GND
Rs485	RS485A	RS485B	EN_GND	EN	12V OUT	12V OUT_GND	12V IN	12V IN_GND





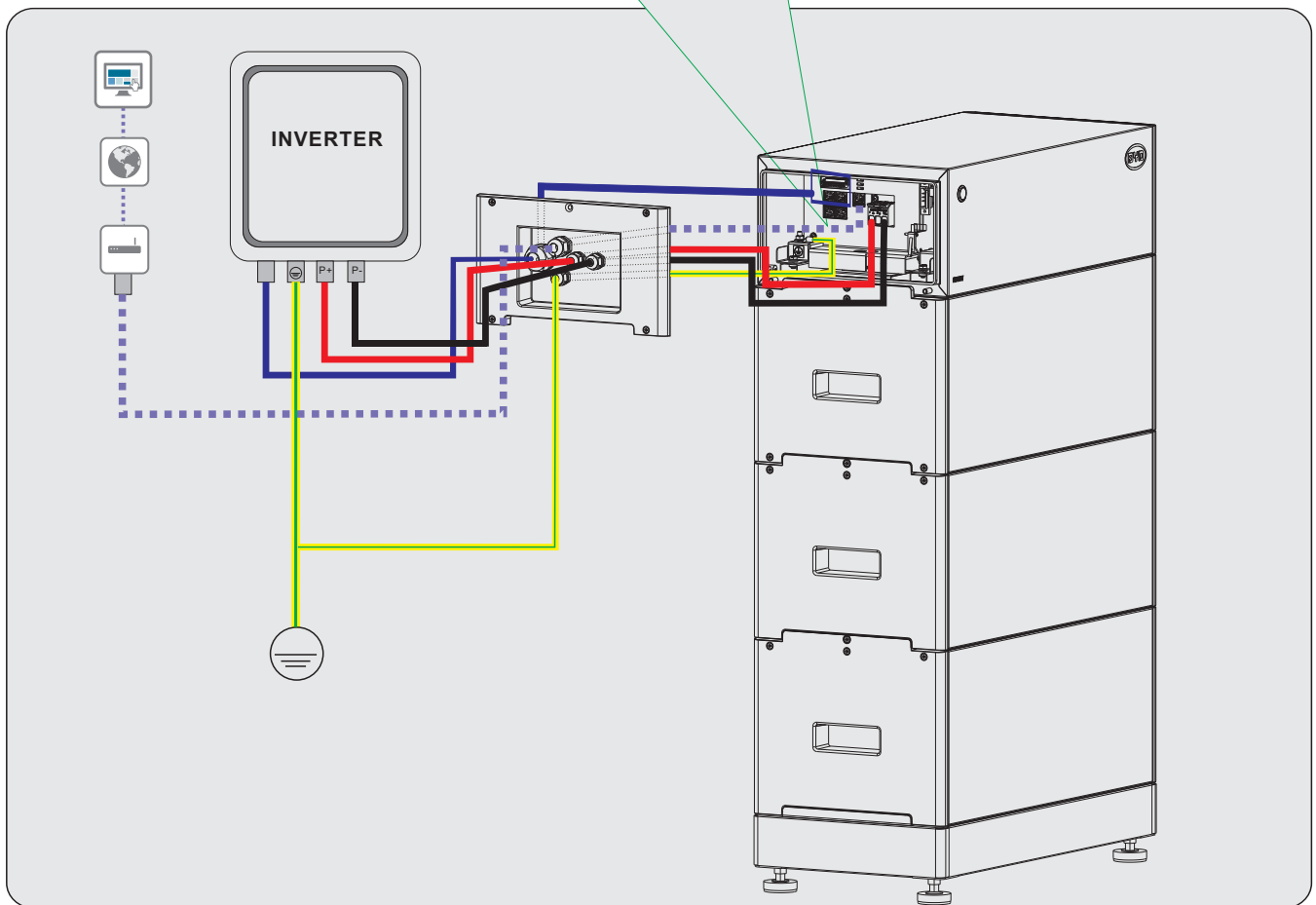
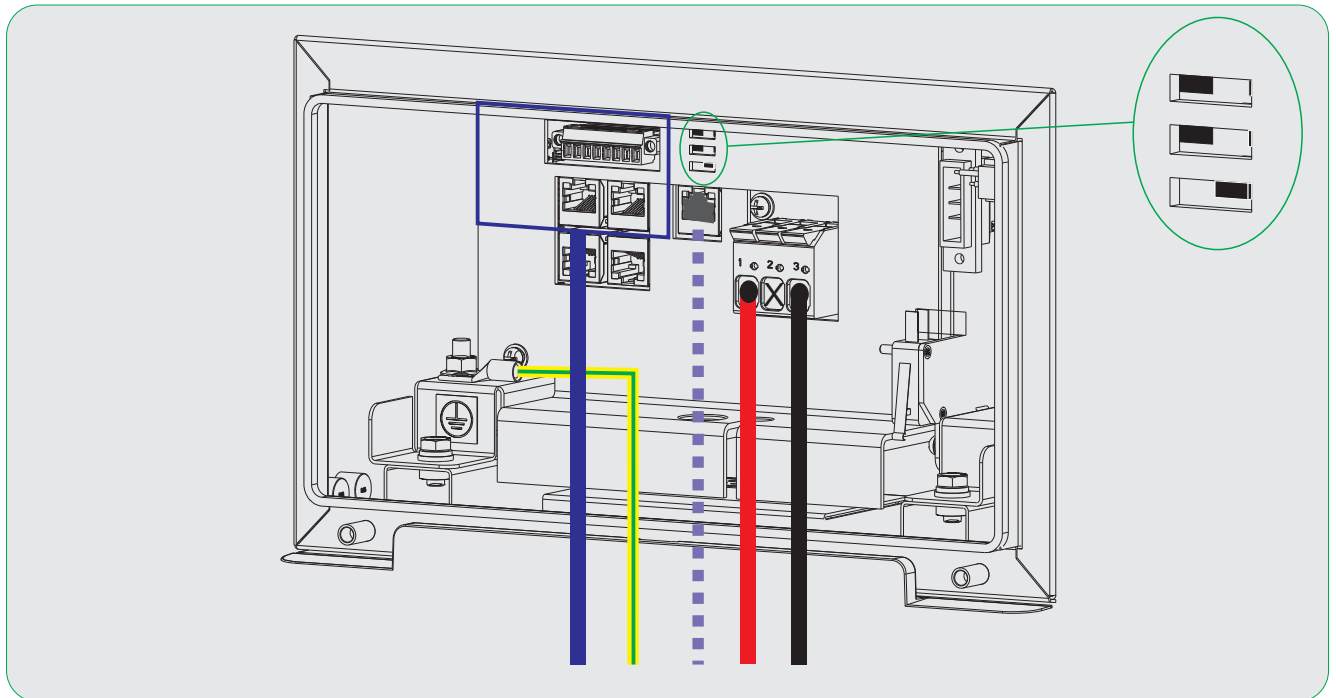
A	PE connecting point
B	Panel open sensor
C	Terminal resistor for the CAN protocol circuit with inverter
D	Terminal resistor for the RS485 protocol circuit with inverter
E	Terminal resistor for the CAN protocol circuit with other systems (s)
F	8 pin terminal blocks for connecting an inverter`s data cable. (CAN or RS485 protocol)
G	RJ 45 port for connecting an inverter`s data cable. (CAN protocol)
H	RJ 45 port for connecting an inverter`s data cable. (RS485 protocol)
I	RJ 45 port for connecting with other systems. (CAN protocol)
J	RJ 45 port for Ethernet cable connection
K	DC+ to inverter
L	DC- to inverter

The connection to Ethernet cable is recommended, not compulsory.

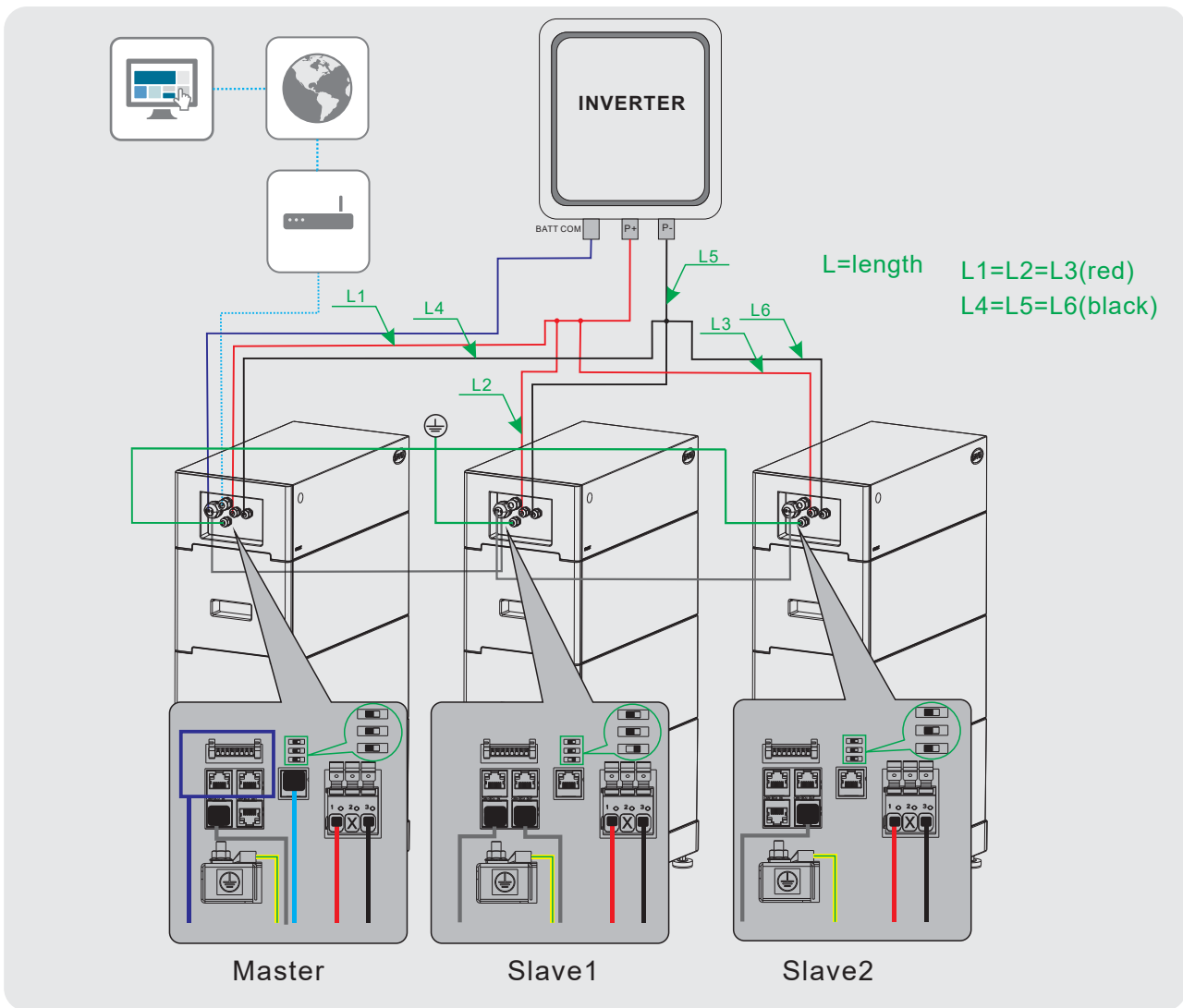
We provide different methods to connect inverter with the battery system. You can choose the suitable one for you.

6.2. Connection Diagram

6.2.1. One Battery System



6.2.2. Multiple Battery Systems



6.3. Connecting the Grounding Conductor

⚠ QUALIFIED PERSON

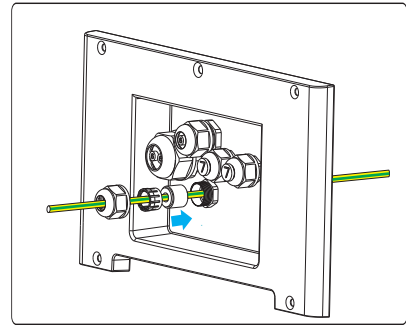
Additionally required mounting material (not included in the scope of delivery):

- Conductor SC10-5
- Grounding cable cross-section: 10 mm²

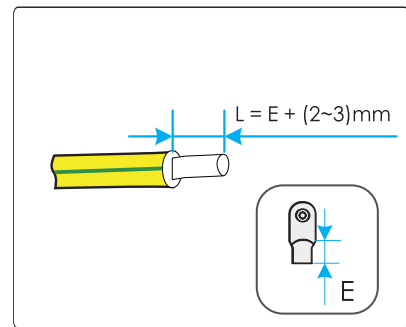
Procedure:

- Make sure the air switch of BCU is off.
- Take off the Operating Panel of BCU, with a Phillips screwdriver PD2.

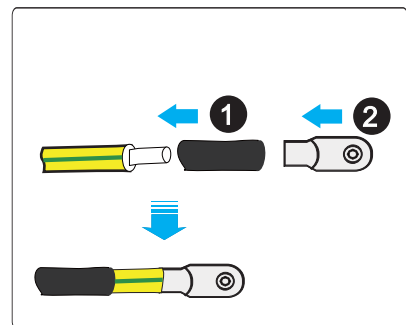
3. Take out the plug on cable gland c.
4. Take off the nut of the cable gland.
5. Take off the cable support sleeve inside of the cable gland.
6. Get the PE inside of the cable support sleeve.
7. Lead the PE through cable gland c.



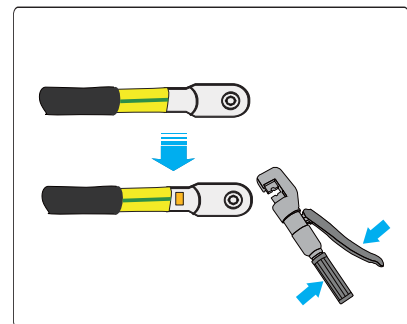
8. Strip the grounding cable and make the length (L on the right drawing) stripped 2-3 mm longer than the tube of the conductor (E on the right drawing).



9. Get the heat shrink tubing through the cable and plug the conductor on the cable.

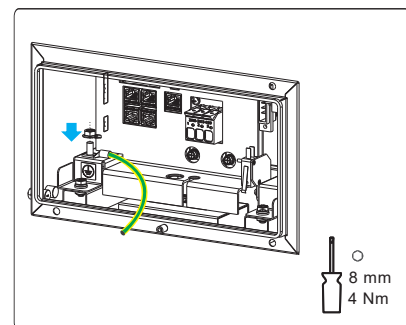


10. Squeeze the tube of the conductor with a crimping plier.



11. Get the heat shrink tubing back to cover the connection part of the cable and the conductor.

12. Blow the heat shrink tubing with hot wind.



13. Take the original nut on the grounding point off, then fix the PE conductor, using the same nut, with a cylinder screwdriver 8 mm, and tighten it (torque, 4 Nm).

6.4. The Data Cable Connection to Inverter

6.4.1. Connection Options

The connection options with different inverters could be read in the Appendix.

6.4.2. Connecting the Data Cable of the Inverter

⚠ QUALIFIED PERSON

Additionally required mounting material (not included in the scope of delivery):

One data cable

Data cable requirements:

The cable length and quality affect the quality of the signal. Observe the following cable requirements.

Cable category: Cat5, Cat5e or higher

Plug type: Metal shielded RJ45 of Cat5, Cat5e or higher

Shielding: Yes

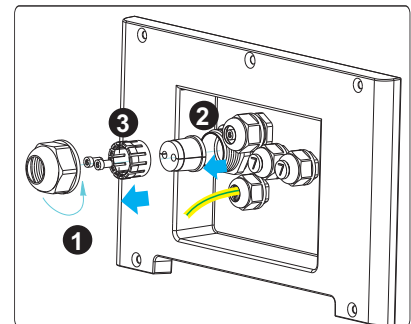
UV-resistant for outdoor use

Straight- through wired cables

Maximum cable length: 10 m.

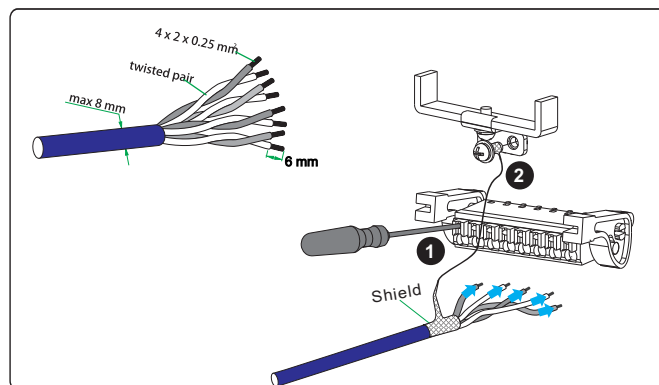
Procedure:

1. Take off the nut of the cable gland b.
2. Take the cable support sleeve inside of the cable gland.
3. Take out the plug and get the data cable inside of the cable support sleeve. **IF ONLY ONE HOLE OF THE CABLE GLAND B IS USED, PLEASE MAKE SURE THE OTHER HOLE IS WELL COVERED BY THE PLUG BEFORE FINISHING INSTALLATION. OTHERWISE, THE WATER HAS THE POSSIBILITY TO GET INSIDE OF BCU.**
4. Lead the data cable through cable gland b.
5. Plug the cable to RJ45 port or to the 8 pin terminal block.
6. Swipe the corresponding terminal resistor (CAN Inver or RS485 Inver) to the ACT. position (left side). (Choosing CAN Inver or RS485 Inver depends on the protocol that the inverter adapted to communicate with the battery system. If you are not sure about that, you can keep both resistors to the ACT. position.)



The method to plug the data cable into the 8 pin terminal block:

1. Strip the communication cable 50 mm.
2. Trim the cable shield to a length of 10 mm and fold it over the cable sheath.
3. Strip the insulation on the insulated conductors each by 6 mm. The CAN L and CAN H (or 485a and 485b) must be a twisted pair.



4. If necessary, trim unused insulated conductors flush with the cable sheath or fold it over the cable sheath.
5. Press the button with a flat-head screwdriver, as shown in the drawing.

6. Plug the conductors into the 8 pin terminal blocks. Pay attention to the assignment of the terminal block and communication connection on the inverter.

Make sure that the conductors are plugged into the terminal points tightly by pulling slightly on the conductors.

7. Ground the shielding to the screw above.

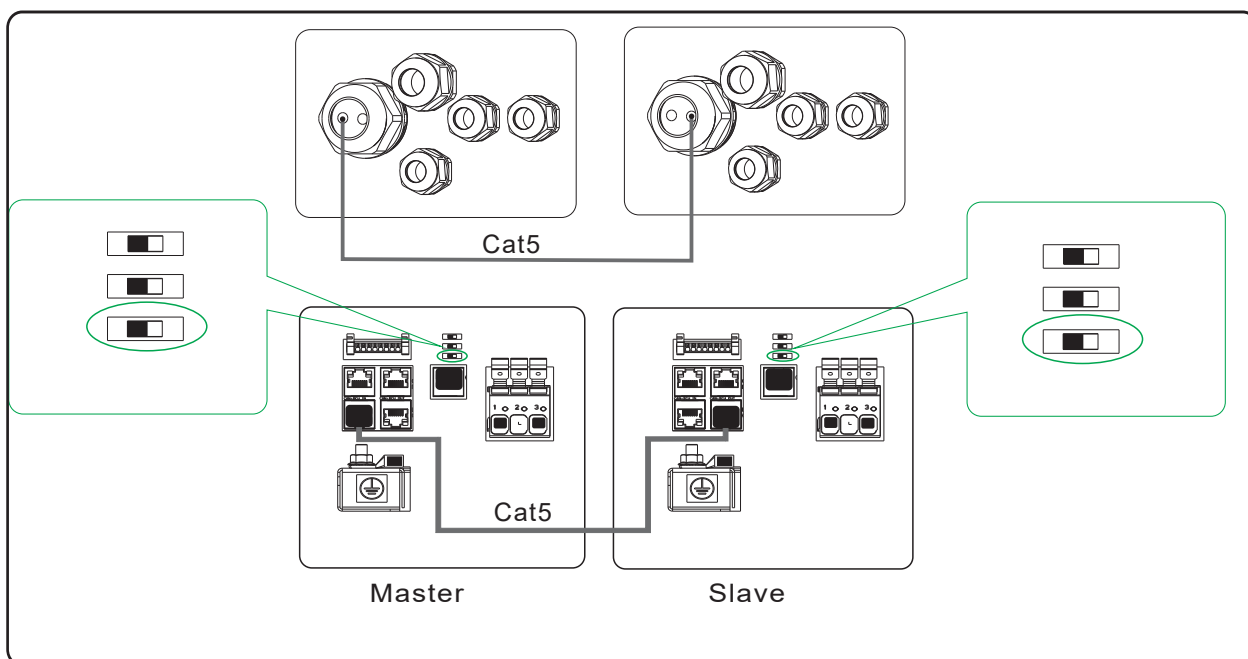
6.5. Connecting the Data Cable for other Battery System(s)

⚠ QUALIFIED PERSON

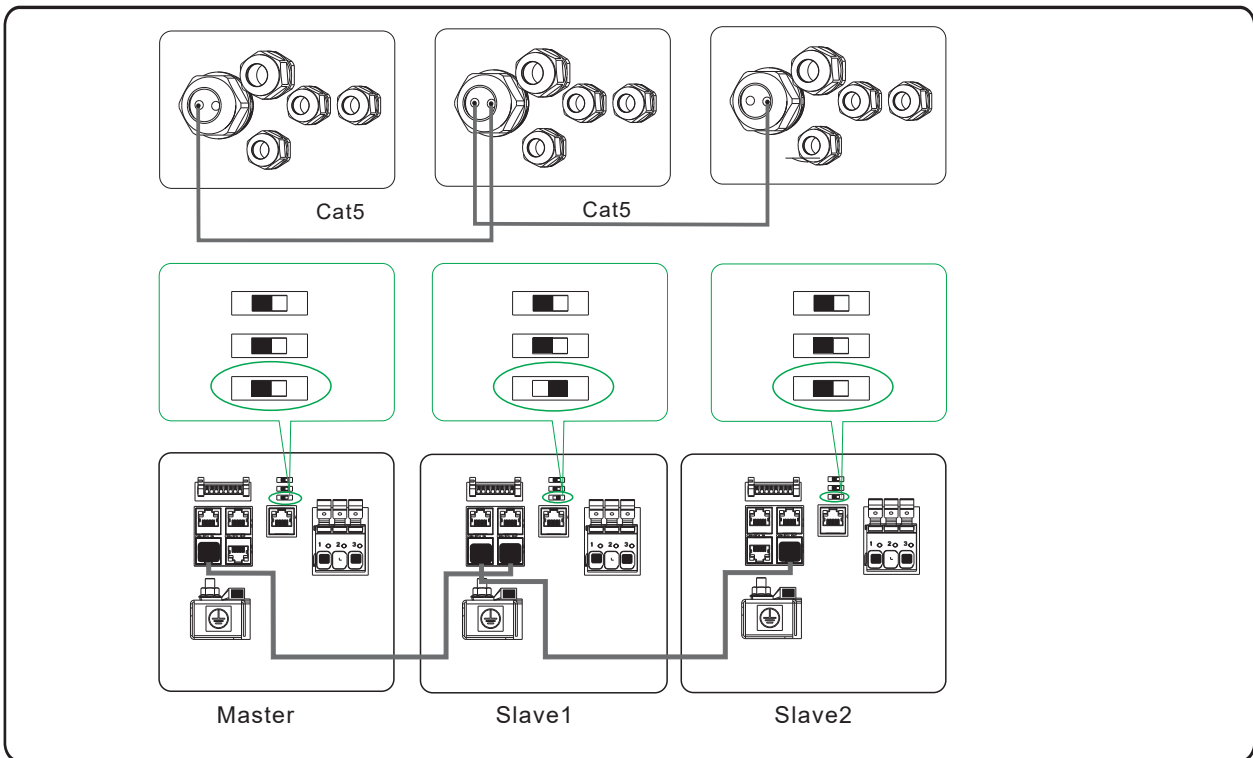
This connection could only need to be made when two or three battery systems to be connected in parallel.

THE HVS BATTERY SYSTEM CANNOT BE CONNECTED WITH THE HVM BATTERY SYSTEM.

The connection diagram of two battery systems could be read below.



The connection diagram of three battery systems could be read below.



Additionally required material (not included in the scope of delivery):

- One to two data cables

Data cable requirements:

The cable length and quality affect the quality of the signal. Observe the following cable requirements.

- Cable category: Cat5, Cat5e or higher
- Plug type: Metal shielded RJ45 of Cat5, Cat5e or higher
- Shielding: Yes
- UV-resistant for outdoor use
- Straight- through wired cables
- Maximum cable length: 10 m.

Procedure:

1. Take off the nut of the cable gland b.
2. Take the cable support sleeve inside of the cable gland.
3. Take out the plug and get the data cable inside of the cable support sleeve. **IF ONLY ONE HOLE OF THE CABLE GLAND B IS USED, PLEASE MAKE SURE THE OTHER HOLE IS**

WELL COVERED BY THE PLUG BEFORE FINISHING THE INSTALLATION. OTHERWISE, THE WATER HAS THE POSSIBILITY TO GET INSIDE OF BCU.

4. Lead the data cable through cable gland a.
5. Plug the cable to the corresponding RJ45 port.
6. Swipe the terminal resistor (Parallel) according to the drawing.

6.6. Connecting the Network Cables

DANGER

Danger to life due to electric shock in case of overvoltages and if surge protection is missing

Overvoltages (e. g. in the event of a flash of lightning) can be further conducted into the building and to other connected devices in the same network via the network cables or other data cables if there is no surge protection. Touching live parts and cables results in death or lethal injuries due to electric shock.

- Ensure that all devices in the same network and the battery are integrated into the existing surge protection.
- When laying the network cables or other data cables outdoors, it must be ensured that a suitable surge protection device is provided at the transition point of the cable from the system or the inverter outdoors to the inside of a building.

The connection to the Internet is not mandatory, but recommended.

Additionally required material (not included in the scope of delivery):

- One network cable (Cat5, Cat5e or higher)

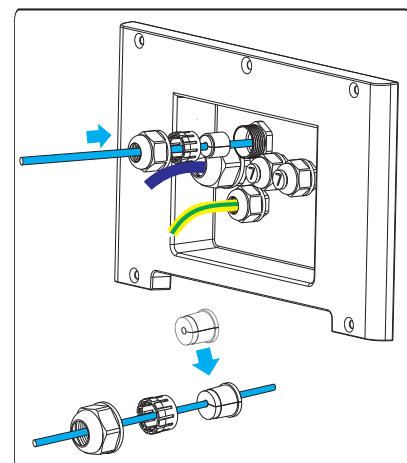
Data cable requirements:

The cable length and quality affect the quality of the signal. Observe the following cable requirements.

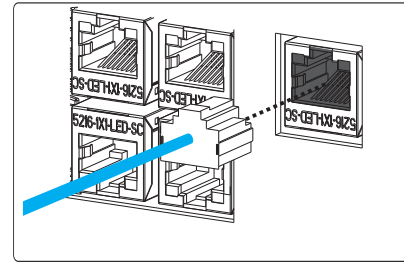
- Cable category: Cat5, Cat5e or higher
- Plug type: Metal Shielded RJ45 of Cat5, Cat5e or higher
- Shielding: Yes
- UV-resistant for outdoor use
- Straight- through wired cables
- Maximum cable length: 10 m.

Procedure:

1. Take off the nut of the cable gland a.
2. Take the cable support sleeve inside of the cable gland.
3. Take out the plug and get the network cable inside of the cable support sleeve.



4. Lead the network cable through cable gland a.
5. Plug the cable to the corresponding RJ45 port.



6.7. DC Connection

⚠ QUALIFIED PERSON

⚠ DANGER

Danger to life from electric shock due to live DC cables or conductors at the battery system

The DC cables connected to the battery system may be live. Touching the DC conductors or the live components leads to lethal electric shocks.

- Do not touch non-insulated cable ends.

When two or three battery systems are connected, the positive power cable length of all the battery systems should be approximately equal. And so are the negative power cables. A junction box is needed to combine these cables. Please follow the local, state, provincial, federal, or national laws, regulations, and instructions from the inverter manufacturer to choose the right junction box.

Additionally required mounting material (not included in the scope of delivery):

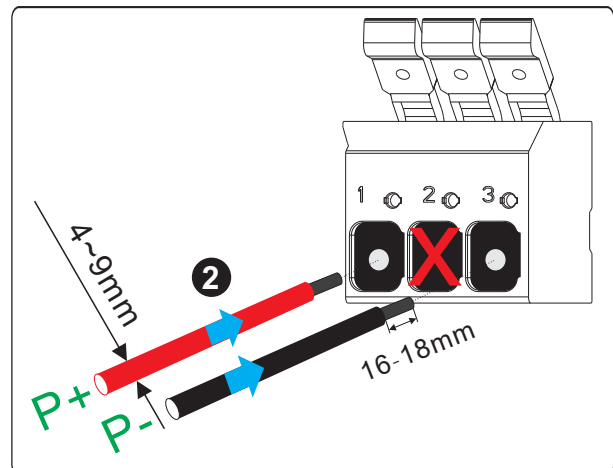
Two DC power cables

Cable requirements:

- Conductor cross-section: Up to 16 mm². The diameter of the cable should be between 4 mm to 9 mm. Follow the requirements of the inverter manufacturer.
- Insulation stripping length: 16-18 mm
- Maximum cable length: 5 m

Procedure

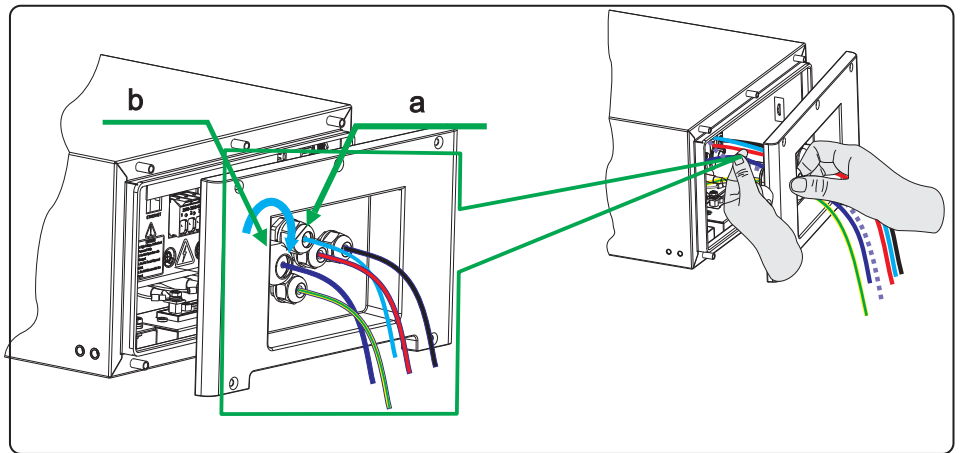
1. Take off the nut of the cable glands d and e.
2. Guide each cable through the cable glands d and e.
3. Push the terminal lever up.
4. Insert each conductor into the corresponding terminal point.
5. Pull the terminal lever down.
6. Ensure that the terminal points are allocated to the correct conductors.
7. Ensure that the conductors are plugged completely into the terminal points up to their insulation.



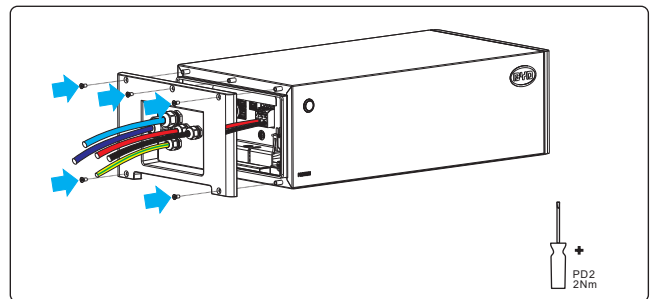
6.8. Close up

Procedure:

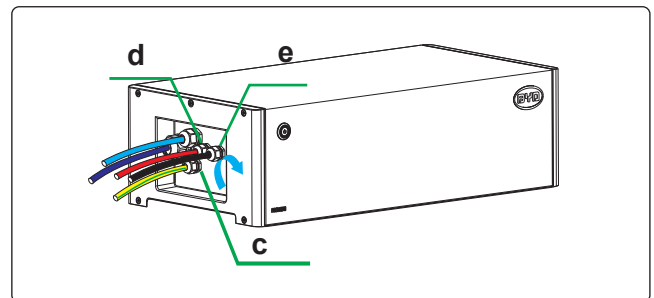
1. Leave a small gap between the BCU and Operating Panel, so that one hand could hold data cables there.
2. Hold data cables between the BCU and Operating Panel with one hand, and tighten the nuts on grand a and b with another hand.



3. Fix the Operating Panel. To do this, insert the screws (M4x14) through the holes on them, using a Phillips screwdriver (PD2) and tighten it (torque: 2 Nm).



4. Tighten the nuts on cable glands c, d, and e.
5. **PLEASE MAKE SURE THE SCREWS AND NUTS ARE FIXED WELL. FAILURE TO DO SO WILL MAKE ANY MANUFACTURER'S WARRANTY, GUARANTEE OR LIABILITY NULL AND VOID.**



7. Commissioning

7.1. Commission the Battery System

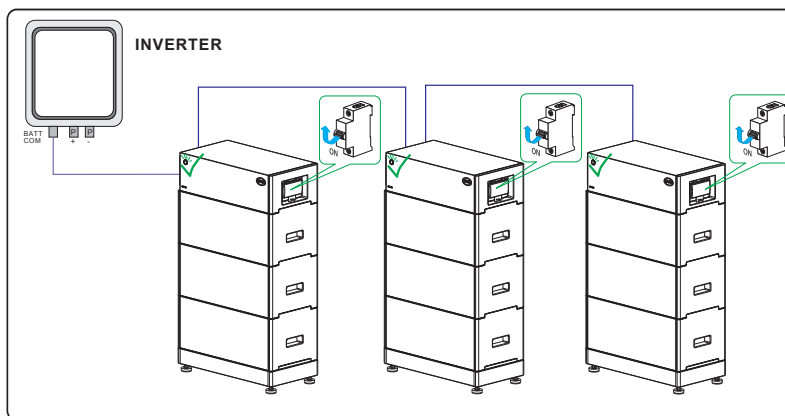
⚠ QUALIFIED PERSON

Requirements:

- The power cable connection between the battery system and the inverter is switched off.
- The inverter must be correctly mounted.
- All cables must be correctly connected.
- The Operating Panel is well fixed.

Procedure:

1. Open the plastic cover on the right side of the BCU.
2. Turn the air switch from the Off position to On.
3. The LED starts to flash (0.5s white, 0.5s blue). Then it turns to flash white once and blue three times or eleven times.
4. If it is failed to switch on the battery system, check if all the electrical connection is correct.



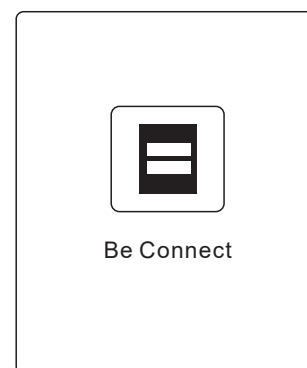
5. **IF THE ELECTRICAL CONNECTION IS CORRECT, BUT THE BATTERY SYSTEM IS STILL UNABLE TO SWITCH ON, CONTACT OUR LOCAL AFTER-SALE SERVICE WITHIN 48 HOURS.**

7.2. Configure the Battery System

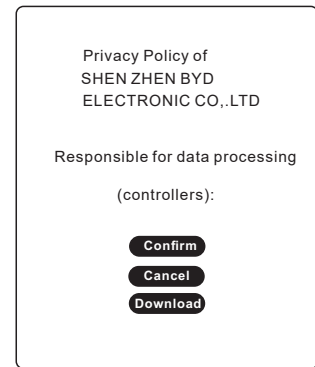
⚠ QUALIFIED PERSON

Procedure:

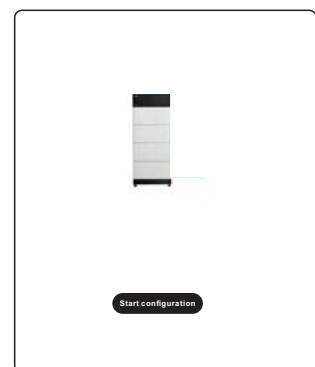
1. Download Be Connect from Google Play or App Store. The battery system requires the latest version firmware to operate. So please make sure you either have downloaded the latest firmware in your device (cell phone, Ipad, etc.), or your device could access the Internet during configuration.
2. Open Be Connect and choose the language
3. Click anywhere of the Welcome Page to pass through.



4. Read the privacy policy and click the Confirm button to go to the next page. You can also download the full PDF document by clicking the Download button, which requires the Internet available on your device.



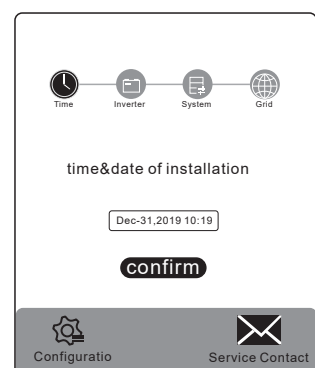
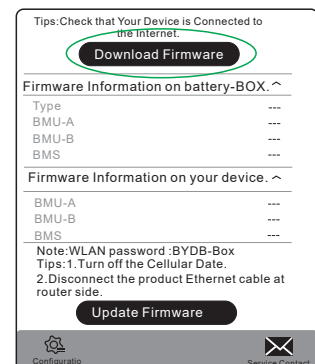
5. Click the Start Configuration button.



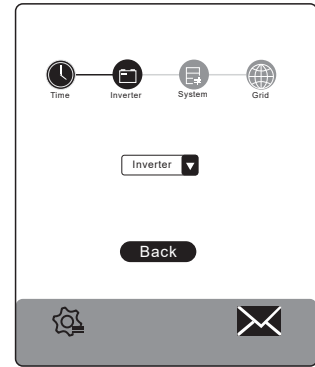
6. On the firmware update page, click the Download Firmware button to download the latest version firmware into your device. If your device cannot access the Internet, you can use the firmware stored in your device.
7. Connect the WLAN of the battery system. If there are three battery systems connected in parallel, connect the WLAN of the master system. You can identify the WLAN by reading the label on BCU and the label on the last page of the Quick Start Guide. All the WLAN shares the common password (BYDB-Box). Turning off the Cellular Data and disconnecting the battery system Ethernet cable at the router side will be good for the WLAN connection between the battery system and your device.

The WLAN of the slave systems will turn off automatically after the battery system starts to communicate with the inverter.

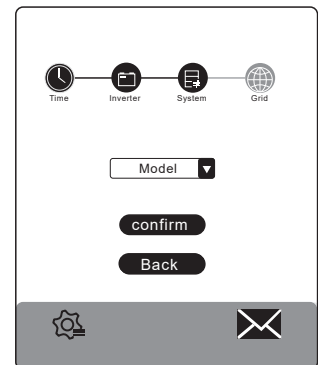
8. Click the Update Firmware button to update. If the firmware in your device is a lower version than the one in the system, this step cannot move forward.
9. Click Confirm to set time.



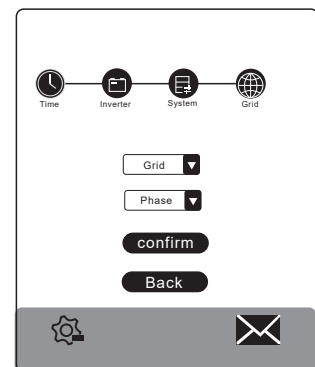
10. Choose an inverter brand.



11. Choose the battery system model, HVM or HVS. (HVL is only available for the US market.) And then, set how many battery modules are installed per tower.



12. Choose the Grid and Phase options according to the actual application.



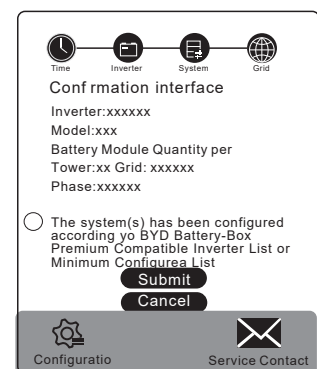
13. Check the summary of the configuration information, tick the sentence, and click Submit.

If there is a prompt or Submit button is grey, wait a moment and check the WLAN connection.

There will be a prompt "Succeeded" when the configuration is completed.

Restart the Be Connect if it was stuck somewhere.

The SOC may not be accurate before a full charge or discharge after the configuration.



7.3. Switch off the Battery System

Press the Button with LED for 5 seconds. Then the battery system will be switched off. If there are two or three battery systems are connected in parallel, only the Button on the master system needs to turn off. The slave system(s) will be turned off automatically.

7.4. Commission the Inverter

QUALIFIED PERSON

Procedure:

1. Mount and connect the inverter according to the inverter manufacturer`s instruction.
2. Switch on the battery system.
3. Commission the inverter according to the inverter manufacturer`s instruction.
4. Configure the inverter according to the inverter manufacturer`s instruction.
5. The LED of the battery system turns to glow white.
6. The battery system is ready to work.

7.5. Black Start Function

The battery system could support the black start function of compatible inverters. The ways to trigger this function are different when the battery systems are operated with different inverters.

7.6. Safety Design

The battery system cannot be turned on when the Operating Panel is removed.

The system will switch off automatically if there is no communication with an inverter for 30 minutes.

8. Decommissioning

QUALIFIED PERSON

DANGER

Danger to life from electric shock due to live DC cables or conductors at the battery system

The DC cables connected to the battery system may be live. Touching the DC conductors or the live components leads to lethal electric shocks.

- Do not touch non-insulated cable ends.

CAUTION

Risk of injury due to weight of the battery module

Injuries may result if the battery module is lifted incorrectly or dropped while being transported or installed.

- Transport and lift the battery module carefully. Take the weight of the battery module into account.
- Wear suitable personal protective equipment for all work on the battery system.

Procedure:

1. Shut off the inverter.
2. Switch off the breaker between the inverter and the battery system if there is any.
3. Switch off the battery system.
4. Take off the nuts on the cable glands on Operation Panel.
5. Loose the screws on Operation Panel.
6. Remove all cables from the battery system.
7. Loosen the screws on hangers between BCU and the wall. And then take off the hangers.
8. Tighten the nuts on the cable glands on the Operation Panel.
9. Fix the Operation Panel on the BCU.
10. Take the BCU from battery modules and battery modules from the base.

Before lifting the battery module, ensure that the screws on both sides of them are removed.

11. Remove the hangers (BCU part).

If the battery system is to be stored or shipped, pack the system. Use the original packaging or packaging that is suitable for the weight and dimensions of the system.

Dispose of the battery system in accordance with the locally applicable disposal regulations for electronic waste.

9. Extension

The battery system could be extended at any time.

The SOC of the existing system and the module to be added should be similar before the module adding on the existing system.

Procedure:

1. Get the SOC figure of the new battery module. Normally, the SOC of a new battery module before shipment is between 30~40%.
2. Charge or discharge the existing system to a similar SOC level.
3. Shut off the inverter.
4. Switch off the breaker between the inverter and the battery system if there is any.
5. Switch off the battery system.
6. Take the BCU off.
7. Add the new module on top of other battery modules.
8. Put BCU back on top of the new battery module.
9. Configure the battery system.
10. The battery system is ready to work.

10. Troubleshooting

10.1. Overview

The customer is not supposed to replace or change the parts.

If the white LED flashes once for one second and then blue LED flashes several times (every time one second), that means an error happens. The times of blue LED flashes are the error codes.

Contact our local after-sales service within 48 hours when you observe an error.

10.2. Error Codes

Blue LED is flashing once	DC cable connection incorrect
Blue LED is flashing twice	a precharge transistor or relay failure
Blue LED is flashing three times	BIC (battery information collector) communication failed
Blue LED is flashing four times	Battery sensor failure
Blue LED is flashing five times	Reserved
Blue LED is flashing six times	Current sensor failure
Blue LED is flashing seven times	Battery failure
Blue LED is flashing eight times	Precharge failed
Blue LED is flashing nine times	BIC balancing failed
Blue LED is flashing ten times	Reserved
Blue LED is flashing eleven times	BMS and BMU communication failure
Blue LED is flashing twelve times	Inverter communication failure
Blue LED is flashing thirteen times	Address registration failed
Blue LED is flashing fourteen times	System parameters loading failed

11. Maintenance and Storage

Cleaning

It is recommended that the battery system be cleaned periodically. If the enclosure is dirty, please use a soft, dry brush or a dust collector to remove the dust. Liquids such as solvents, abrasives, or corrosive liquids should not be used to clean the enclosure.

Maintenance

The battery module should be stored in an environment with a temperature range between -10°C ~ +50°C, and charged regularly according to the table below with no more than 0.5 C (A C-rate is a measure of the rate at which a battery is discharged relative to its maximum capacity.) to the SOC of 40% after a long time of storage.

Storage environment temperature	Relative humidity of the storage environment	Storage time	SOC
Below -10°C	/	Not allowed	/
-10~25°C	5%~70%	≤ 12 months	30%≤SOC≤60%
25~35°C	5%~70%	≤ 6 months	30%≤SOC≤60%
35~50°C	5%~70%	≤ 3 months	30%≤SOC≤60%
Above 50°C	/	Not allowed	/

NOTICE

Damage to the system due to under voltages





- Charge the over-discharged system within seven days when the temperature is above 25°C.
- Charge the over-discharged system within fifteen days when the temperature is below 25°C.







12. Disposal of the Battery System

Disposal of the system must comply with the local applicable disposal regulations for electronic waste and used batteries.

- Do not dispose of the battery system with your household waste.
- Avoid exposing the batteries to high temperatures or direct sunlight.
- Avoid exposing the batteries to high humidity or corrosive atmospheres.
- For more information, please contact BYD.

13. Technical Data

				
	HVS 5.1	HVS 7.7	HVS 10.2	HVS 12.8
Battery Module	HVS (2.56 kWh, 102.4 V, 38 kg)			
Number of Modules	2	3	4	5
Usable Energy [1]	5.12 kWh	7.68 kWh	10.24 kWh	12.8 kWh
Max Output Current [2]	25 A	25 A	25 A	25 A
Peak Output Current [2]	50 A, 5 s	50 A, 5 s	50 A, 5 s	50 A, 5 s
Nominal Voltage	204 V	307 V	409 V	512 V
Operating Voltage	160~230 V	240~345 V	320~460 V	400~576 V
Dimensions (H/W/D)	712x585x298 mm	945x585x298 mm	1178x585x298 mm	1411x585x298 mm
Weight	91 kg	129 kg	167 kg	205 kg
Battery designation	IFpP/21/173/120/32S/M/-10+50/90			

						
	HVM 8.3	HVM 11.0	HVM 13.8	HVM 16.6	HVM 19.3	HVM 22.1
Battery Module	HVM (2.76 kWh, 51.2 V, 38 kg)					
Number of Modules	3	4	5	6	7	8
Usable Energy [1]	8.28 kWh	11.04 kWh	13.80 kWh	16.56 kWh	19.32 kWh	22.08 kWh
Max Output Current [2]	50 A	50 A	50 A	50 A	50 A	50 A
Peak Output Current [2]	75 A, 5 s	75 A, 5 s	75 A, 5 s	75 A, 5 s	75 A, 5 s	75 A, 5 s
Nominal Voltage	153 V	204 V	256 V	307 V	358 V	409 V
Operating Voltage	120~173 V	160~230 V	200~288 V	240~345 V	280~403 V	320~460 V
Dimensions (H/W/D)	945 x585 x 298 mm	1178 x585 x 298 mm	1411 x585 x 298 mm	1644 x585 x 298 mm	1877 x585 x 298 mm	2110 x585 x 298 mm
Weight	129 kg	167 kg	205 kg	243 kg	281 kg	319 kg
Battery designation	IFpP/47/174/120/16S/M/-10+50/90					

HVS & HVM	
Operating Temperature	-10 °C to +50°C
Battery Cell Technology	Lithium Iron Phosphate (cobalt-free)
Communication	CAN/RS485
Enclosure Protection Rating	IP55
Round-trip Efficiency	≥96%
Certification	VDE2510-50 / IEC62619 / CEC / CE / UN38.3
Applications	ON Grid / ON Grid + Backup / OFF Grid
Warranty [3]	10 Years

[1] DC Usable Energy, Test conditions: 100% DOD, 0.2C charge & discharge at +25°C. System Usable Energy may vary with different inverter brands.

[2] Charge derating will occur between -10°C and +5°C.

[3] Refer to BYD Battery-Box Premium Limited Warranty.

14. Contact Information

BYD Global Service

bboxservice@byd.com

Telephone: +86 755 89888888-47175

Address: No. 3009, BYD Road,
Pingshan, Shenzhen, 518118, P.R. China

www.bydbatterybox.com

Social media link

<https://www.facebook.com/BatteryBoxBYD/>

https://twitter.com/BYD_BatteryBox

<https://www.linkedin.com/company/byd-battery-box>

Australia

Alps Power Pty Ltd

service @alpspower.com.au

Telephone: +61 2 8005 6688

Address: 14/47-51 Lorraine St
Peakhurst NSW 221

www.alpspower.com.au

Europe

EFT-Systems GmbH

service@eft-systems.de

Telephone +49 9352 8523999

+44 (0) 2037695998(UK)

+34 91 060 22 67(ES)

+39 02 873683(IT)

Address: Bruchtannenstraße 28, 63801
Kleinostheim, Germany

www.eft-systems.de

USA

EFT USA

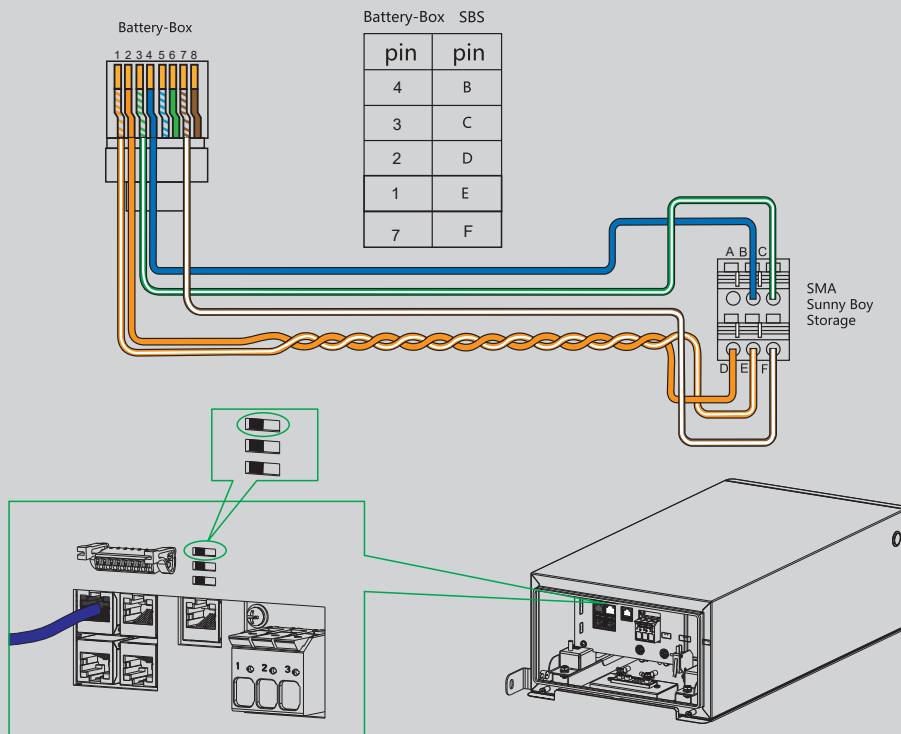
USservice@eft-systems.de

Telephone: +1(833) 338-8721

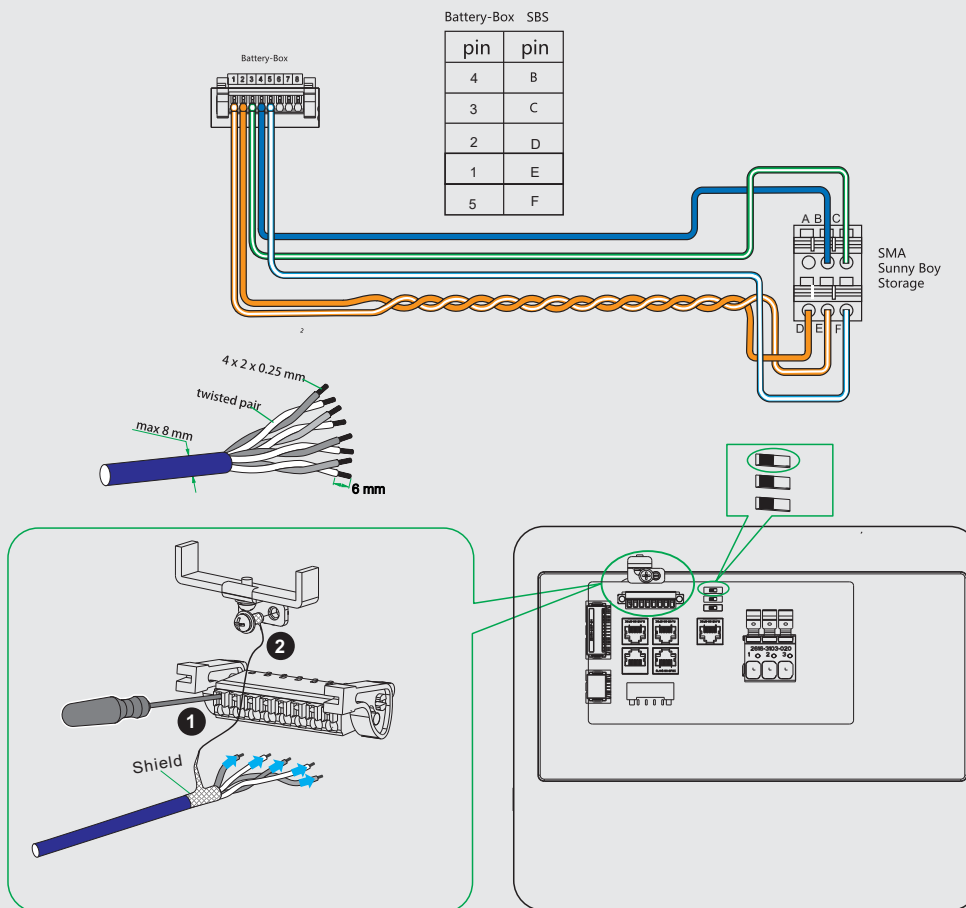
www.eft-systems.de/us

Appendix Connection Options with Inverters

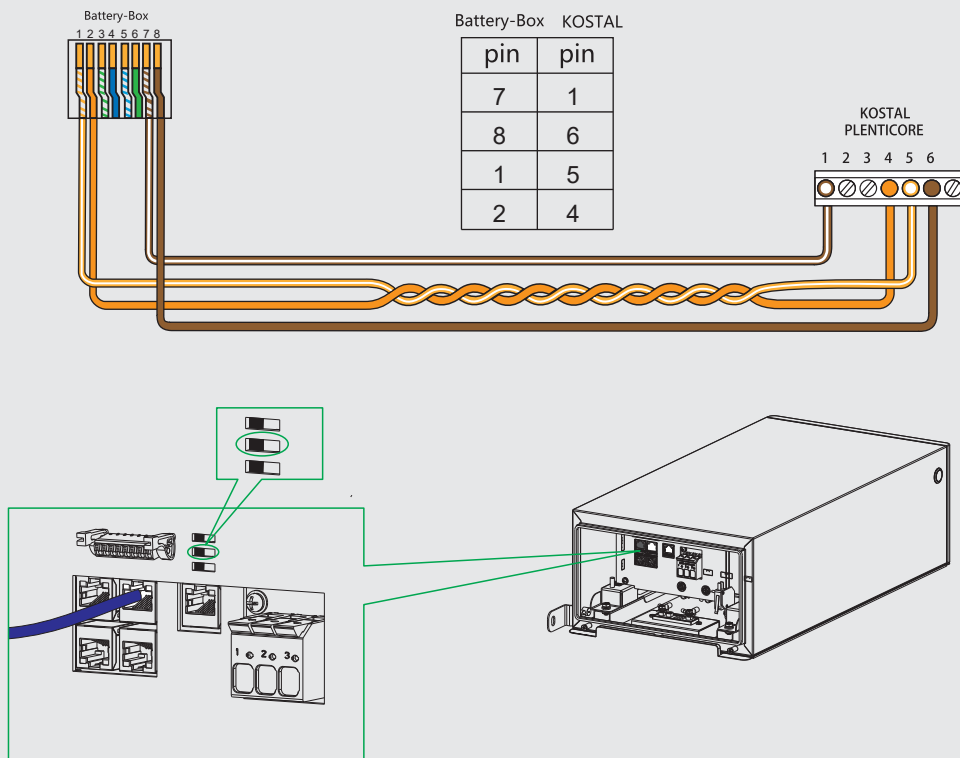
a SMA SBS 2.5 / 3.7 / 5.0 / 6.0 Option a



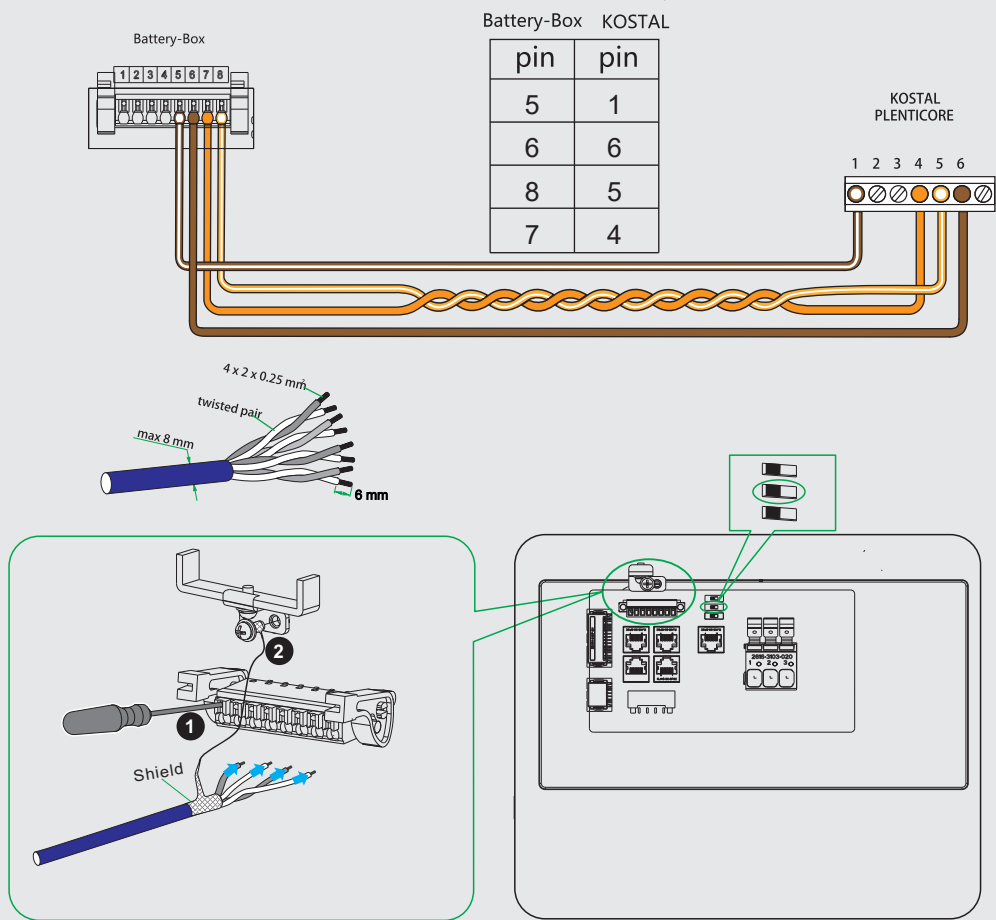
b SMA SBS 2.5 / 3.7 / 5.0 / 6.0 Option b



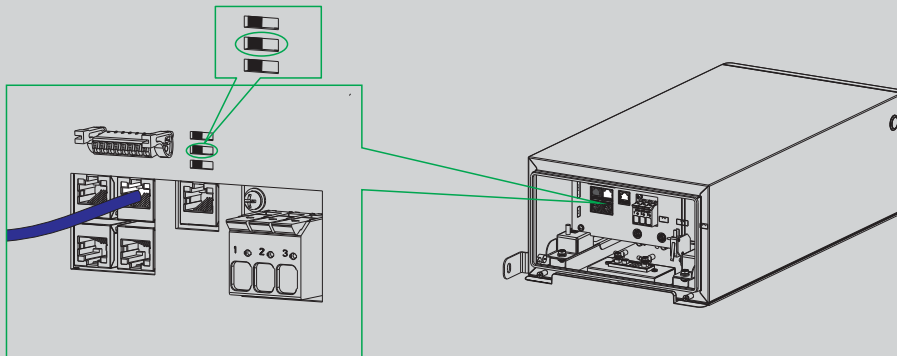
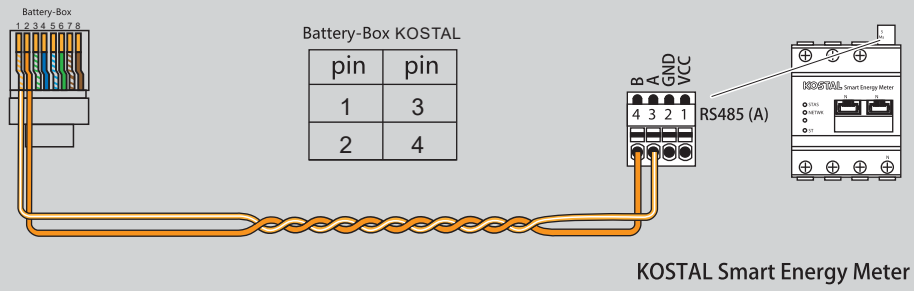
c Kostal PLENTICORE Plus/ Plenticore BI Option a



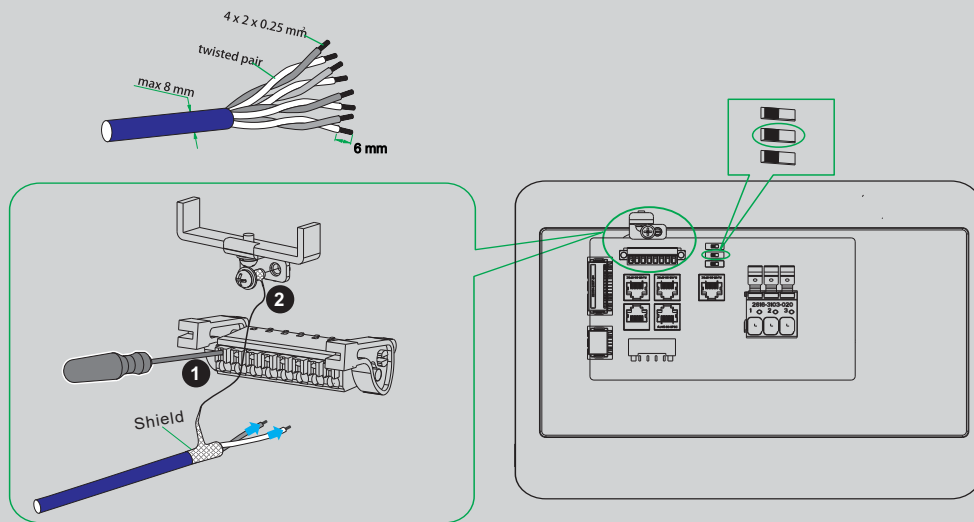
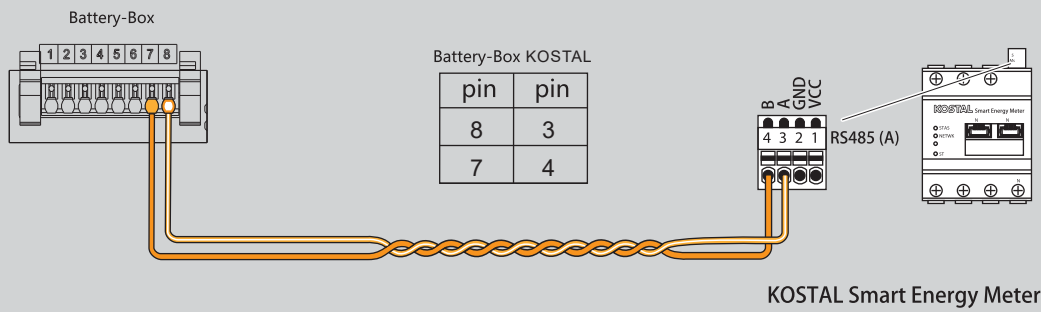
d Kostal PLENTICORE Plus/ Plenticore BI Option b



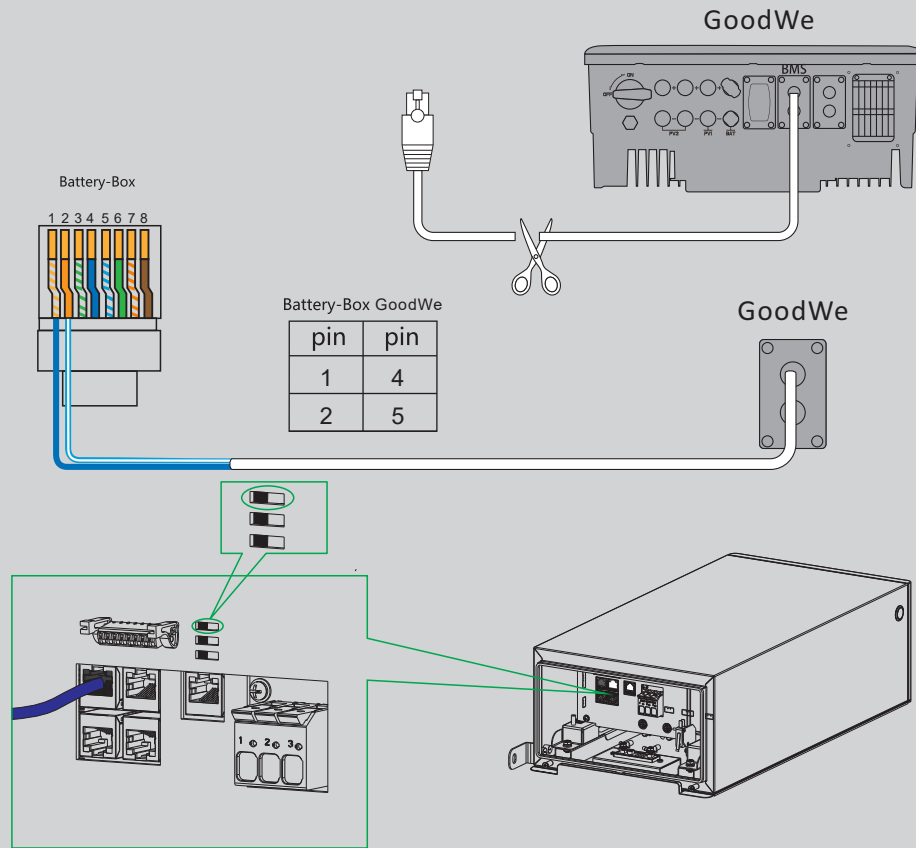
e Kostal PIKO MP Plus Option a



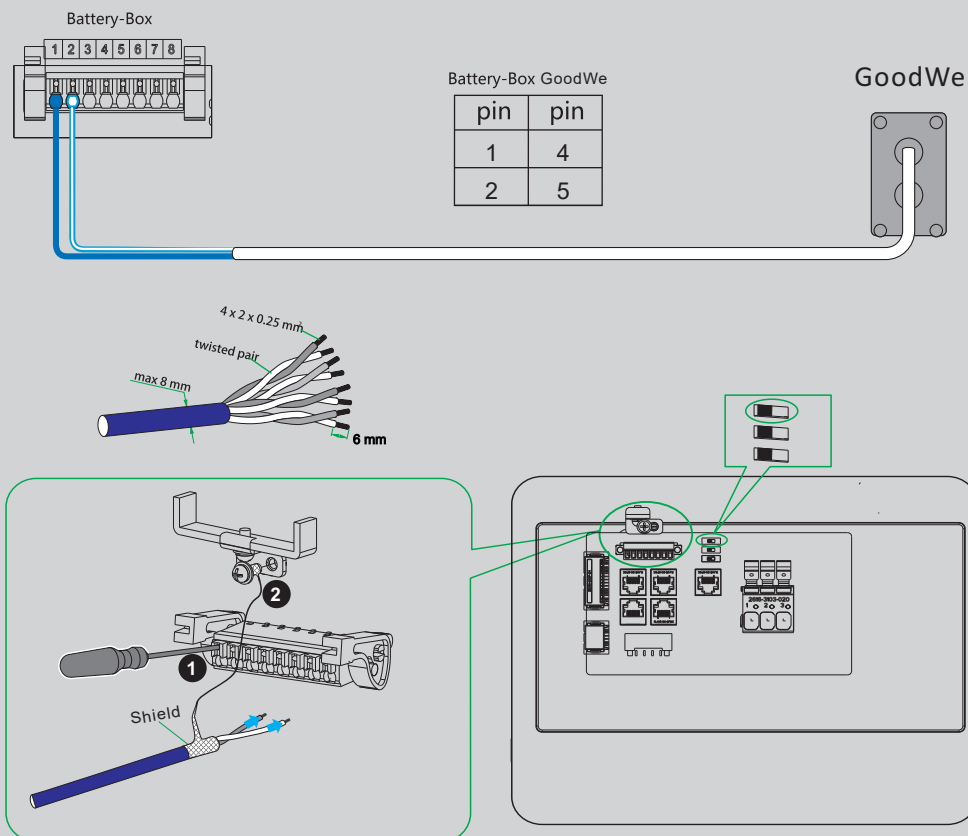
f Kostal PIKO MP Plus Option b



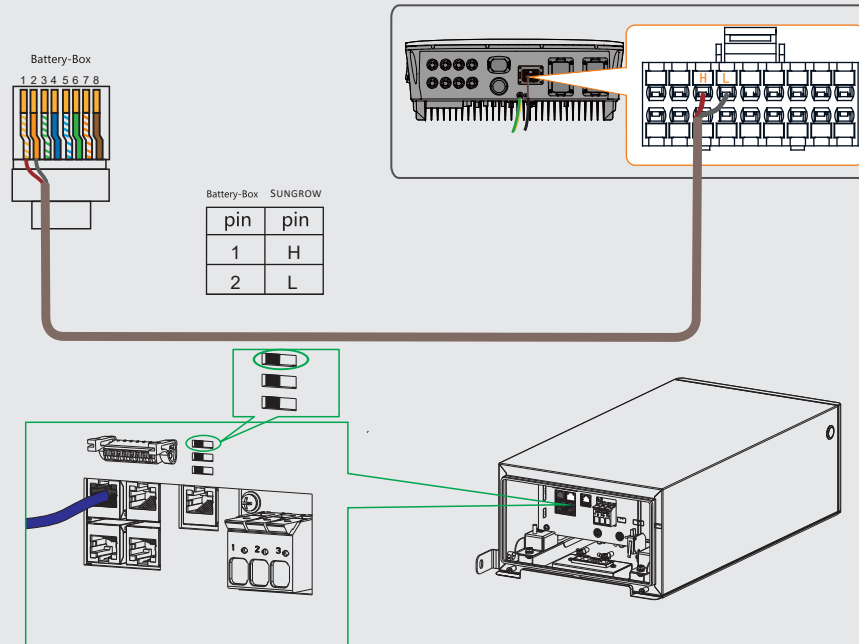
g GOODWE ET/BT/EH/BH Option a



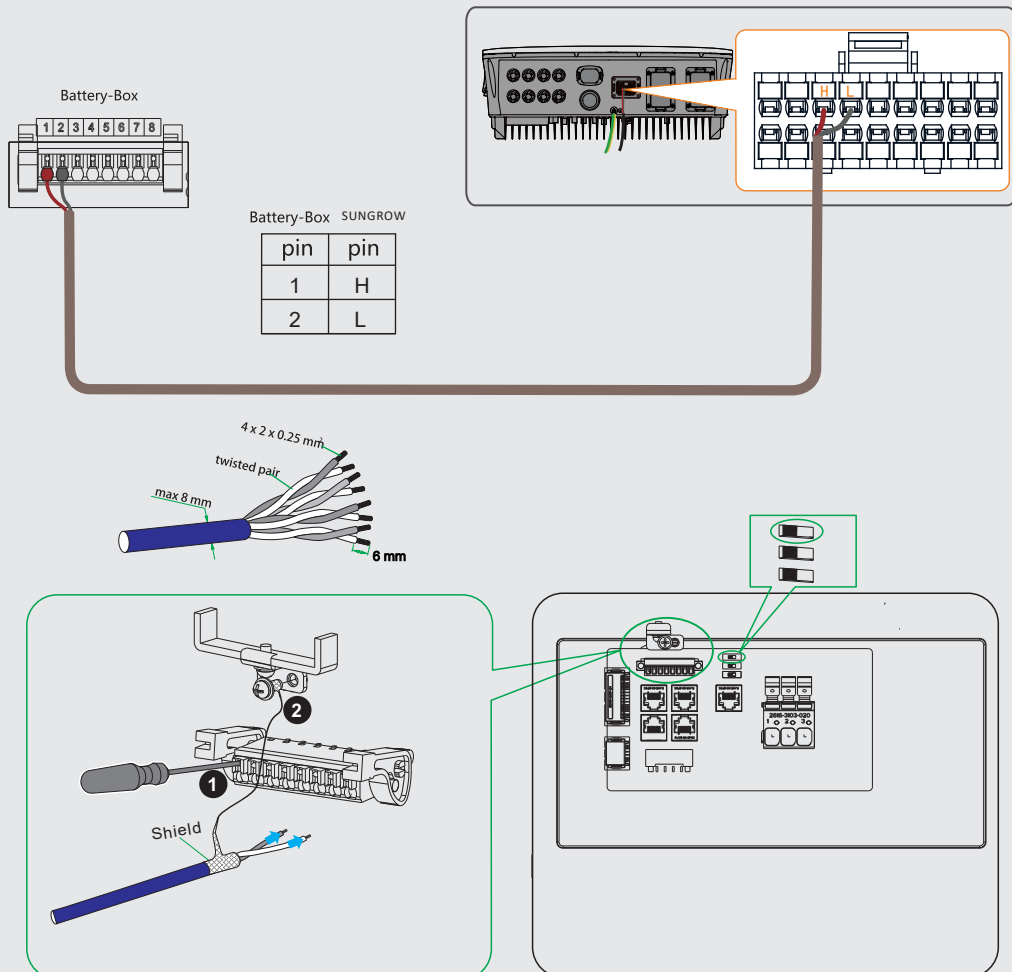
h GOODWE ET/BT/EH/BH Option b



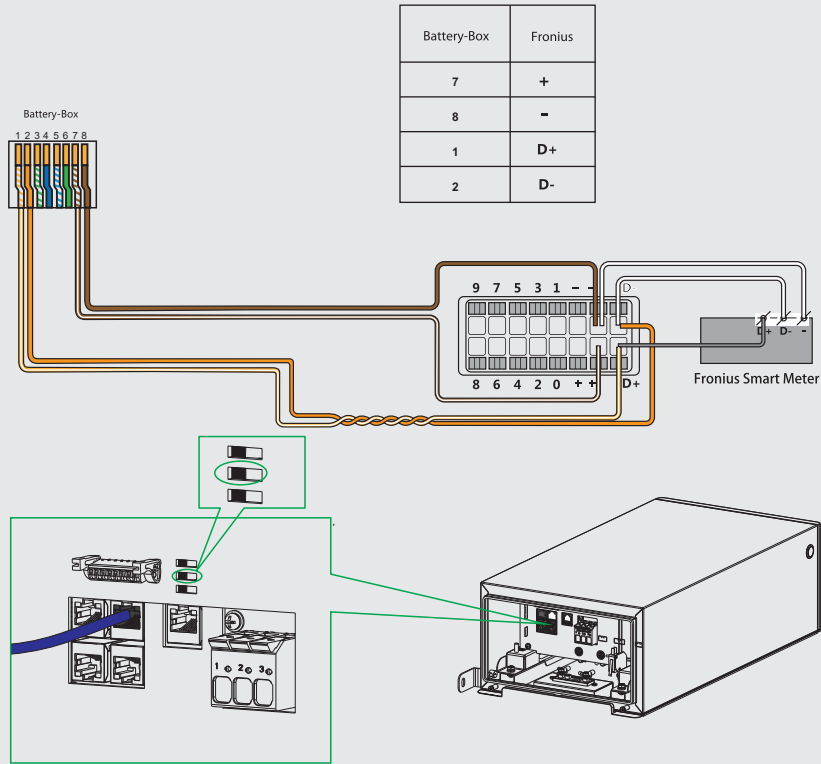
SUNGROW SH5.0_6.0_8.0_10RT Option a



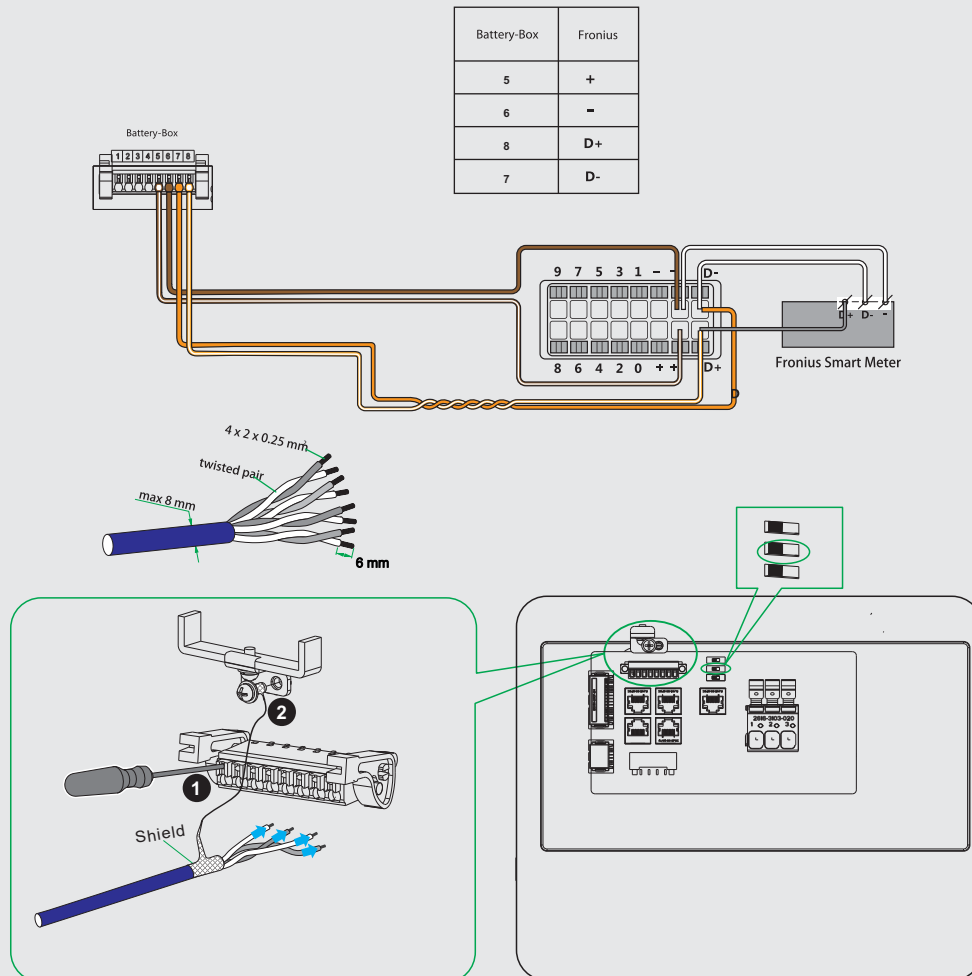
SUNGROW SH5.0_6.0_8.0_10RT Option b



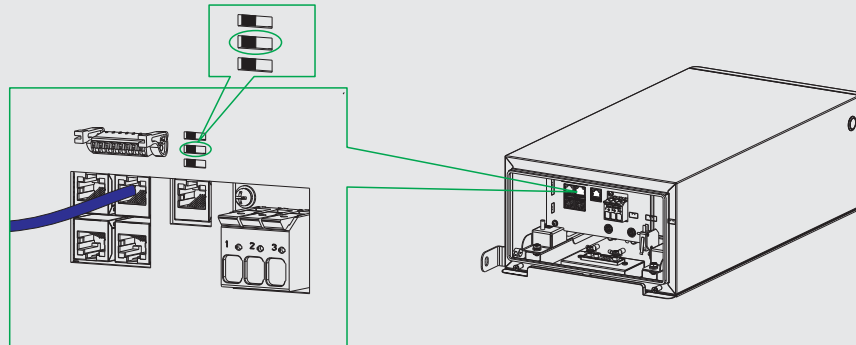
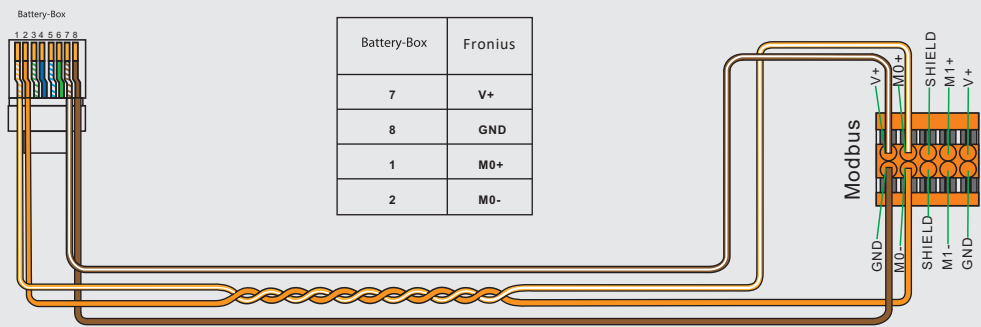
k Fronius Symo Hybrid Option a



l Fronius Symo Hybrid Option b



m Fronius Primo Gen24 / Symo Gen24 Option a



n Fronius Primo Gen24 / Symo Gen24 Option b

